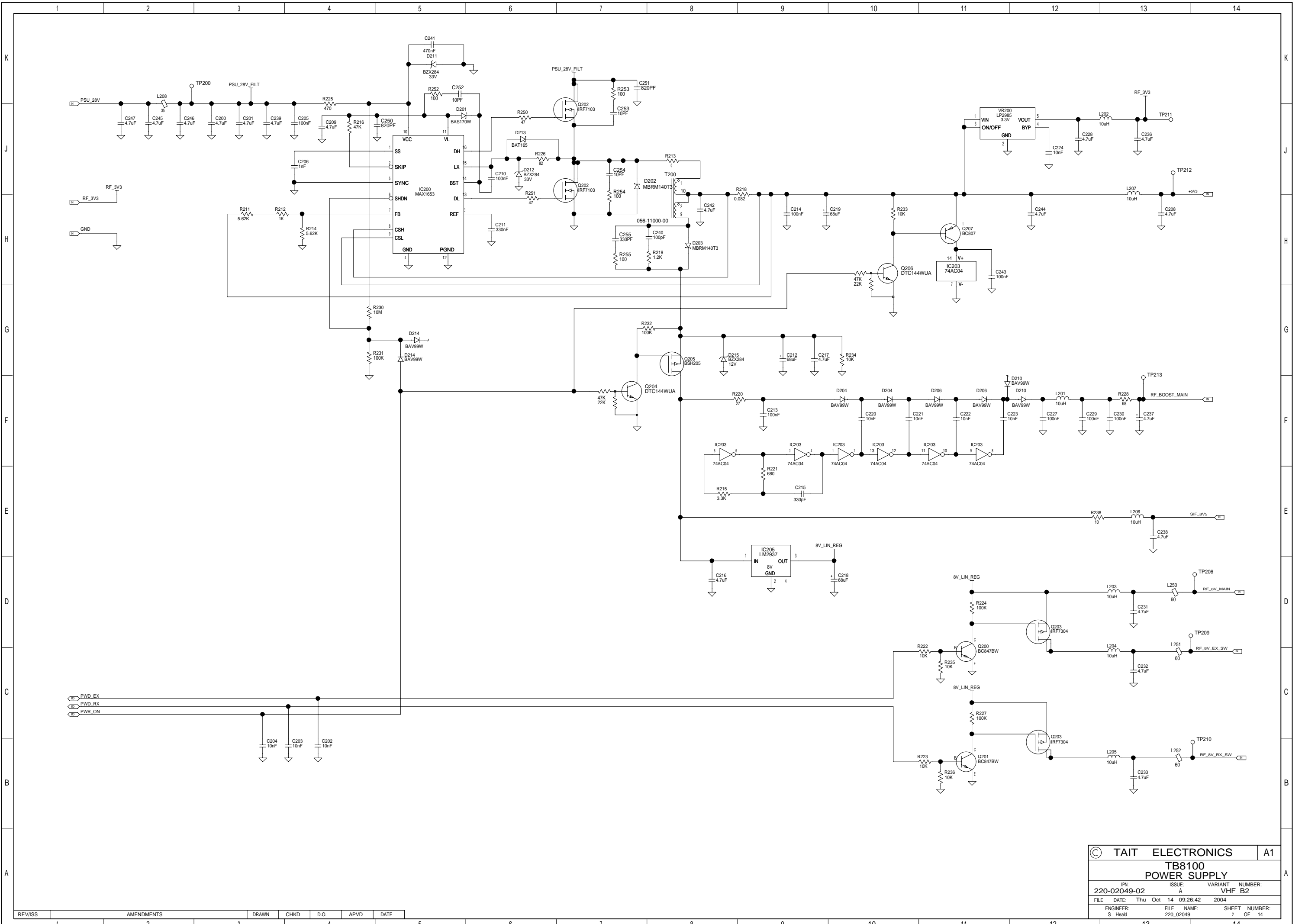
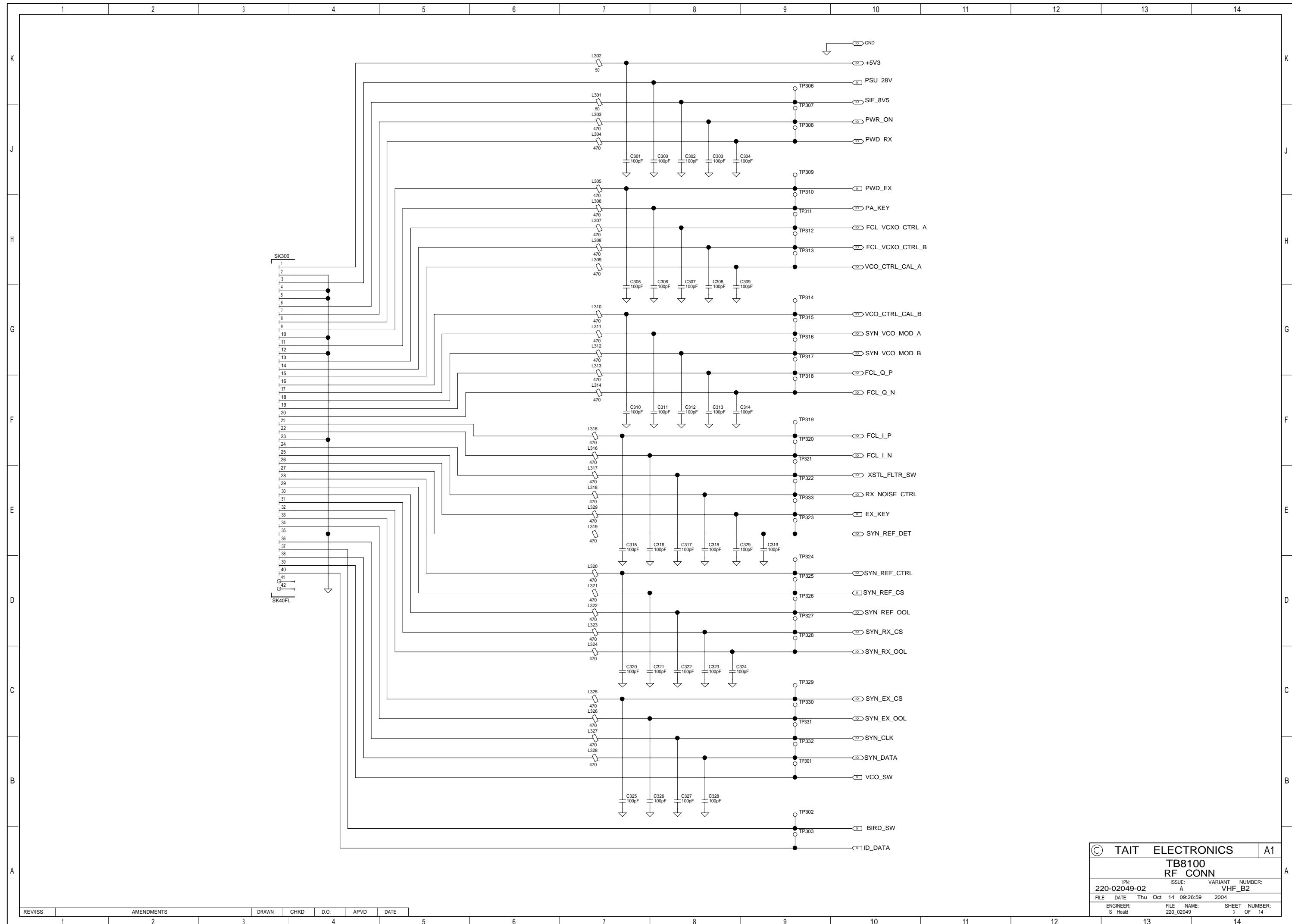


02A	DCO 02049-001	UPDATE FOR D3 PERFORMANCE	CJK	SH	CJK	SH	05OCT04
01A	INITIAL	DESIGN	MODIFIED	FORM 226-00297-02	CJK	SH	16/06/04
REVISS	AMENDMENTS		DRAWN	CHKD	D.O.	APVD	DATE

© TAIT ELECTRONICS		A1
<b>TB8100</b>		
VHF RECITER RF TOP LEVEL		
IPN:	ISSUE:	VARIANT NUMBER:
220-02049-02	A	VHF_B2
FILE DATE:	Thu Oct 14 09:26:20 2004	
ENGINEER:	FILE NAME:	SHEET NUMBER:
S Heald	220_02049	1 OF 14

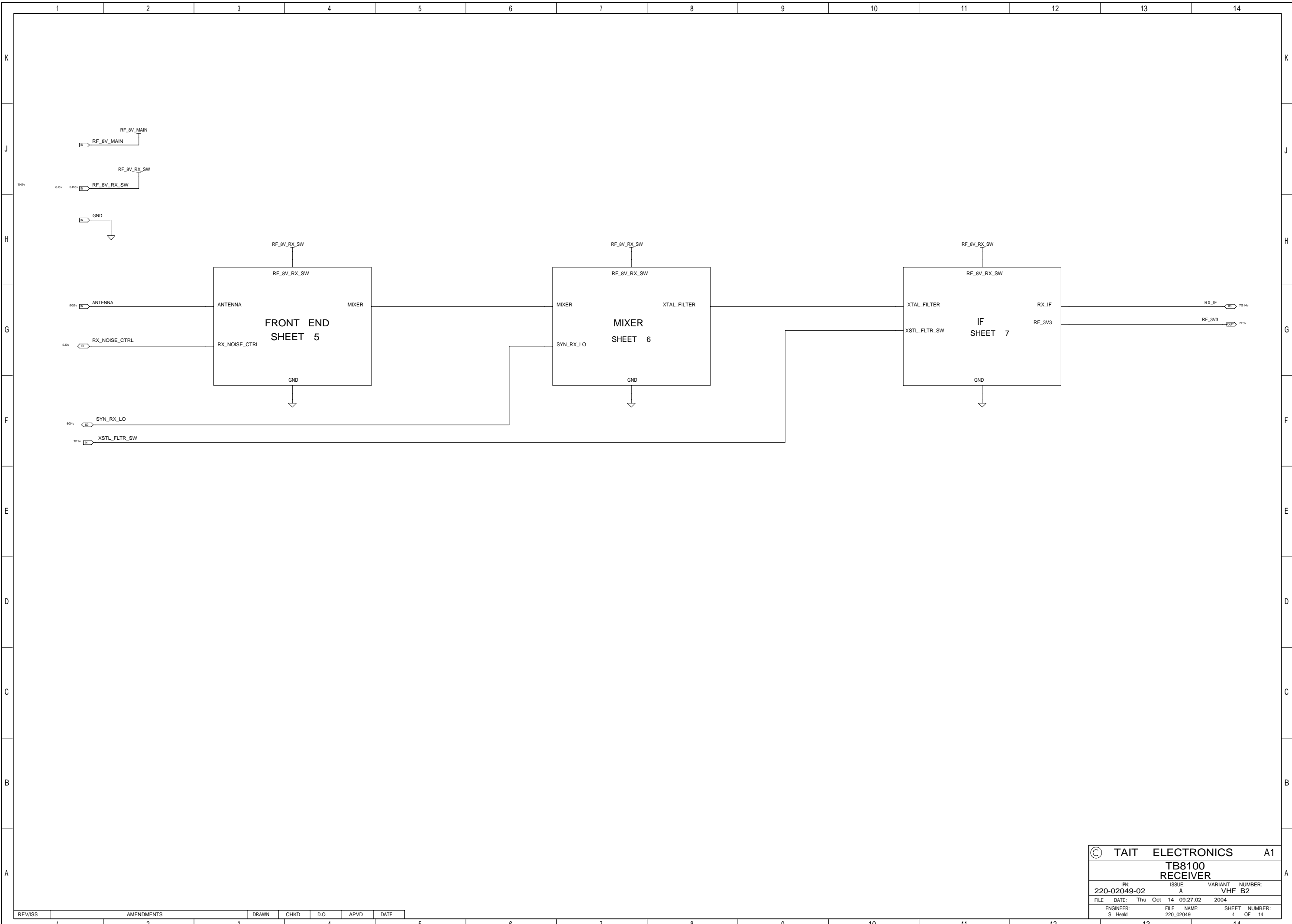


© TAIT ELECTRONICS		A1
<b>TB8100 POWER SUPPLY</b>		
IPN: 220-02049-02	ISSUE: A	VARIANT NUMBER: VHF_B2
FILE DATE: Thu Oct 14 09:26:42 2004	ENGINEER: S Heald	FILE NAME: 220_02049
REVISIONS	AMENDMENTS	DRAWN
CHKD	D.O.	APVD
DATE		
1		
2		
3		
4		
5		
6		
7		
8		
9		
10		
11		
12		
13		
14		



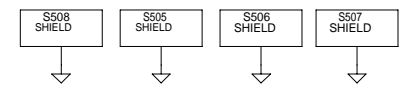
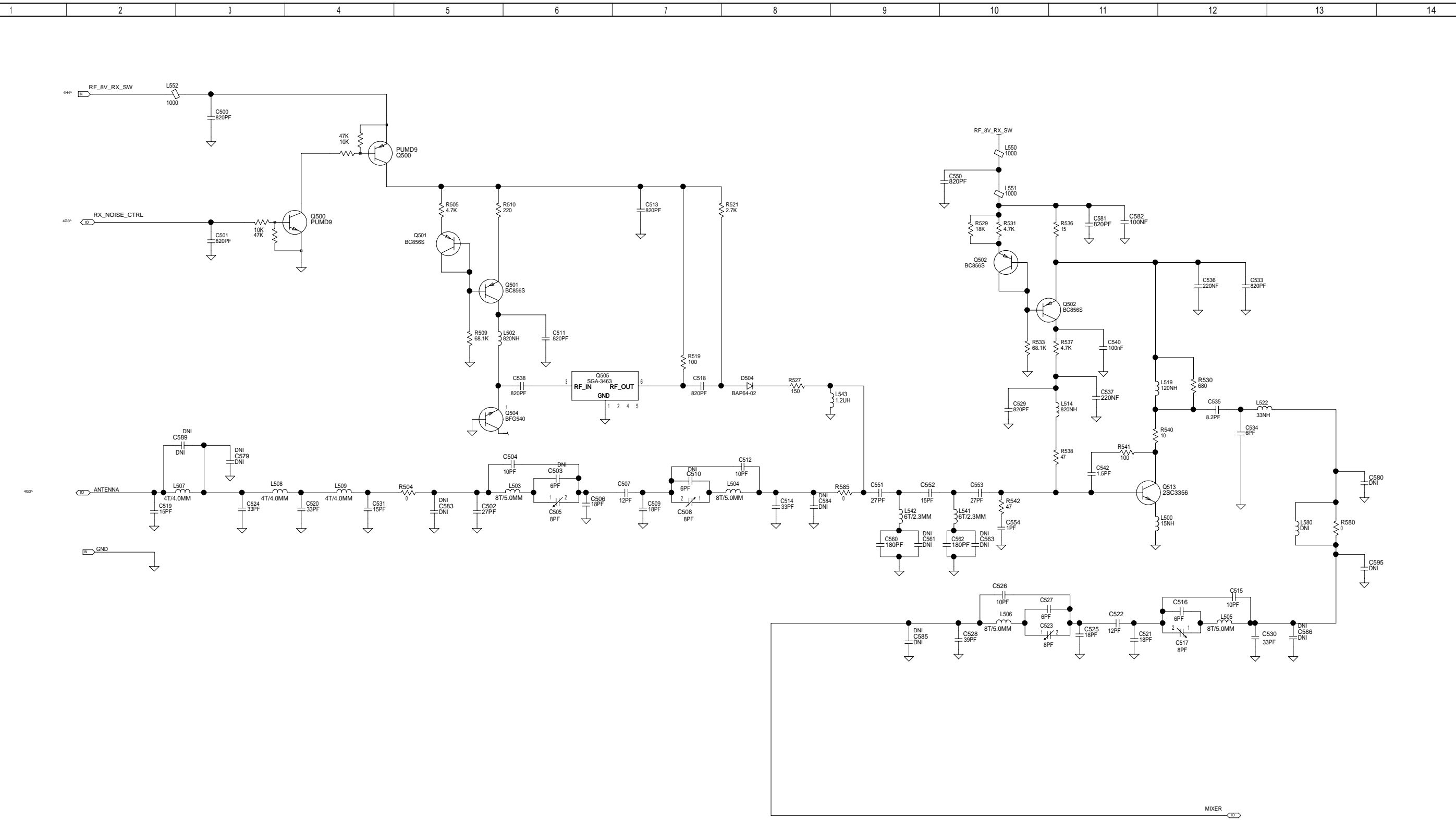
© TAIT ELECTRONICS		A1
<b>TB8100</b>		
<b>RF CONN</b>		
IPN:	ISSUE:	VARIANT NUMBER:
220-02049-02	A	VHF_B2
FILE DATE:	Thu Oct 14 09:26:59 2004	
ENGINEER:	FILE NAME:	SHEET NUMBER:
S Heald	220_02049	3 OF 14

REV/ISS	AMENDMENTS	DRAWN	CHKD	D.O.	APVD	DATE
1						



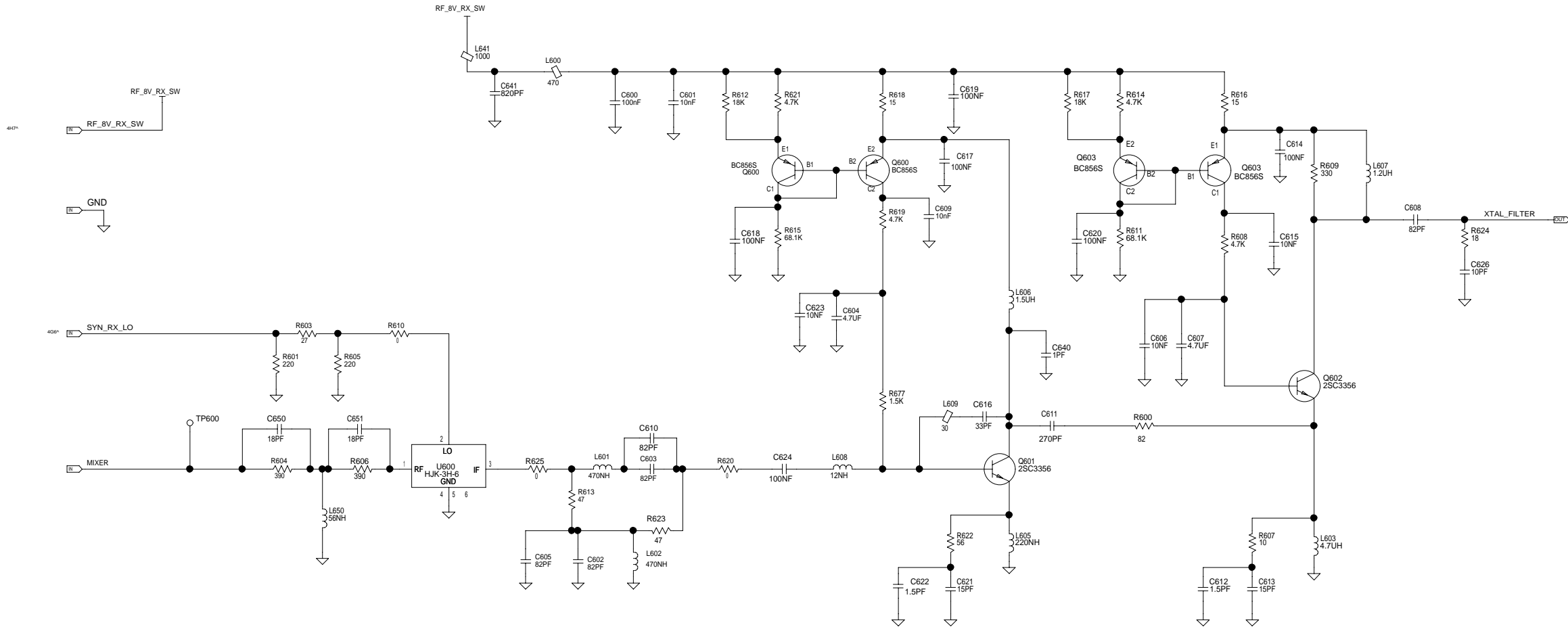
© TAIT ELECTRONICS		A1
<b>TB8100 RECEIVER</b>		
IPN: 220-02049-02	ISSUE: A	VARIANT NUMBER: VHF_B2
FILE DATE: Thu Oct 14 09:27:02 2004		
ENGINEER: S Heald	FILE NAME: 220_02049	SHEET NUMBER: 4 OF 14

REV/ISS	AMENDMENTS	DRAWN	CHKD	D.O.	APVD	DATE
1						
2						
3						
4						
5						
6						
7						
8						
9						
10						
11						
12						
13						
14						



© TAIT ELECTRONICS		A1
<b>TB8100 FRONT END</b>		
IPN: 220-02049-02	ISSUE: A	VARIANT NUMBER: VHF_B2
FILE DATE: Thu Oct 14 09:27:18 2004	ENGINEER: S Heald	FILE NAME: 220_02049
REVISIONS	AMENDMENTS	DRAWN
CHKD	D.O.	APVD
DATE		
1	2	3
4	5	6
7	8	9
10	11	12
13	14	

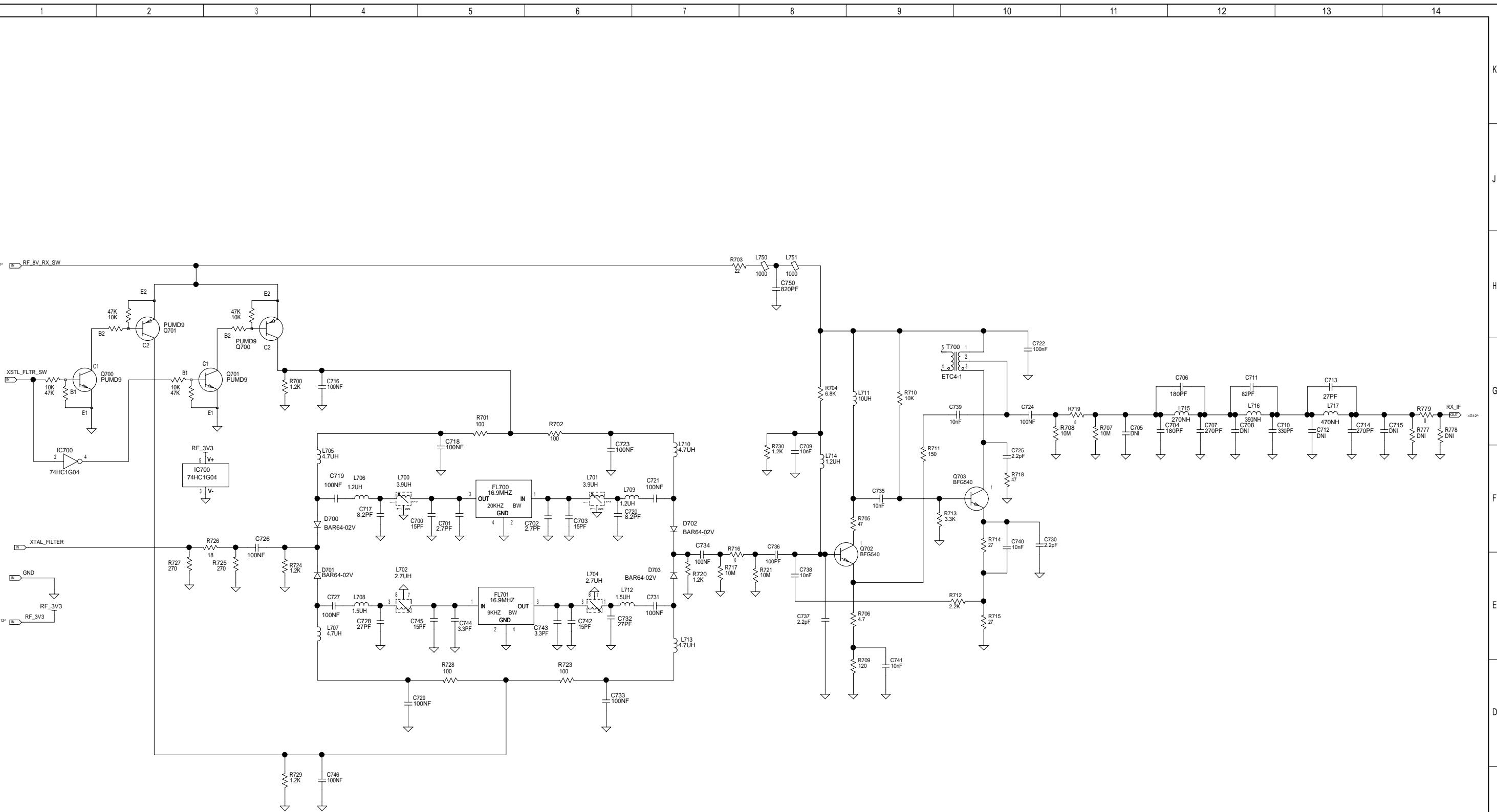
REVISIONS	AMENDMENTS	DRAWN	CHKD	D.O.	APVD	DATE
1	2	3	4	5	6	7



S605  
SHIELD

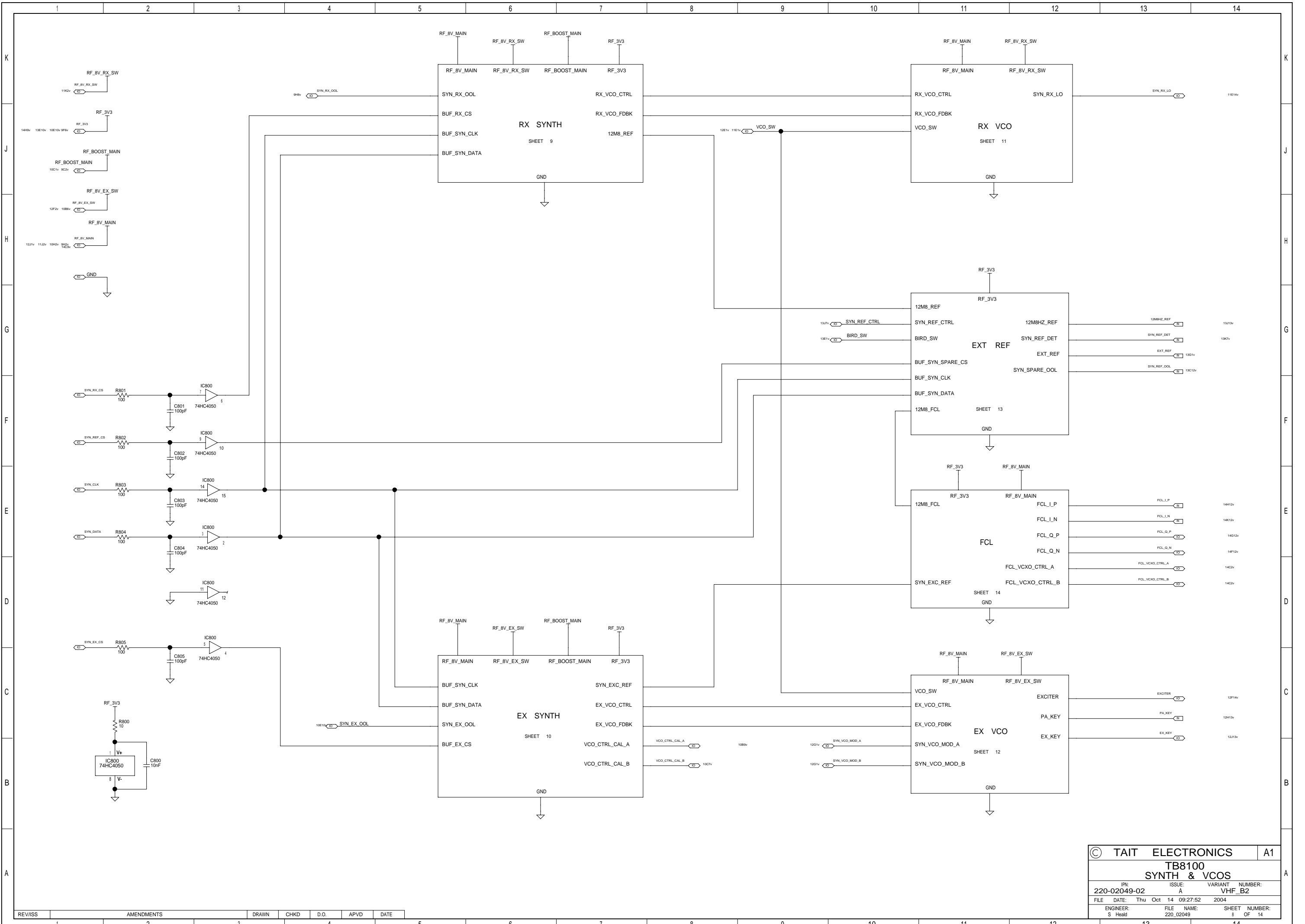
© TAIT ELECTRONICS		A1
<b>TB8100 MIXER</b>		
IPN: 220-02049-02	ISSUE: A	VARIANT NUMBER: VHF_B2
FILE DATE: Thu Oct 14 09:27:29 2004	FILE NAME: 220_02049	SHEET NUMBER: 6 OF 14
ENGINEER: S Heald		

REV/ISS	AMENDMENTS	DRAWN	CHKD	D.O.	APVD	DATE
1						
2						
3						
4						
5						



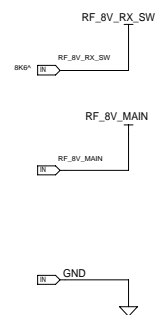
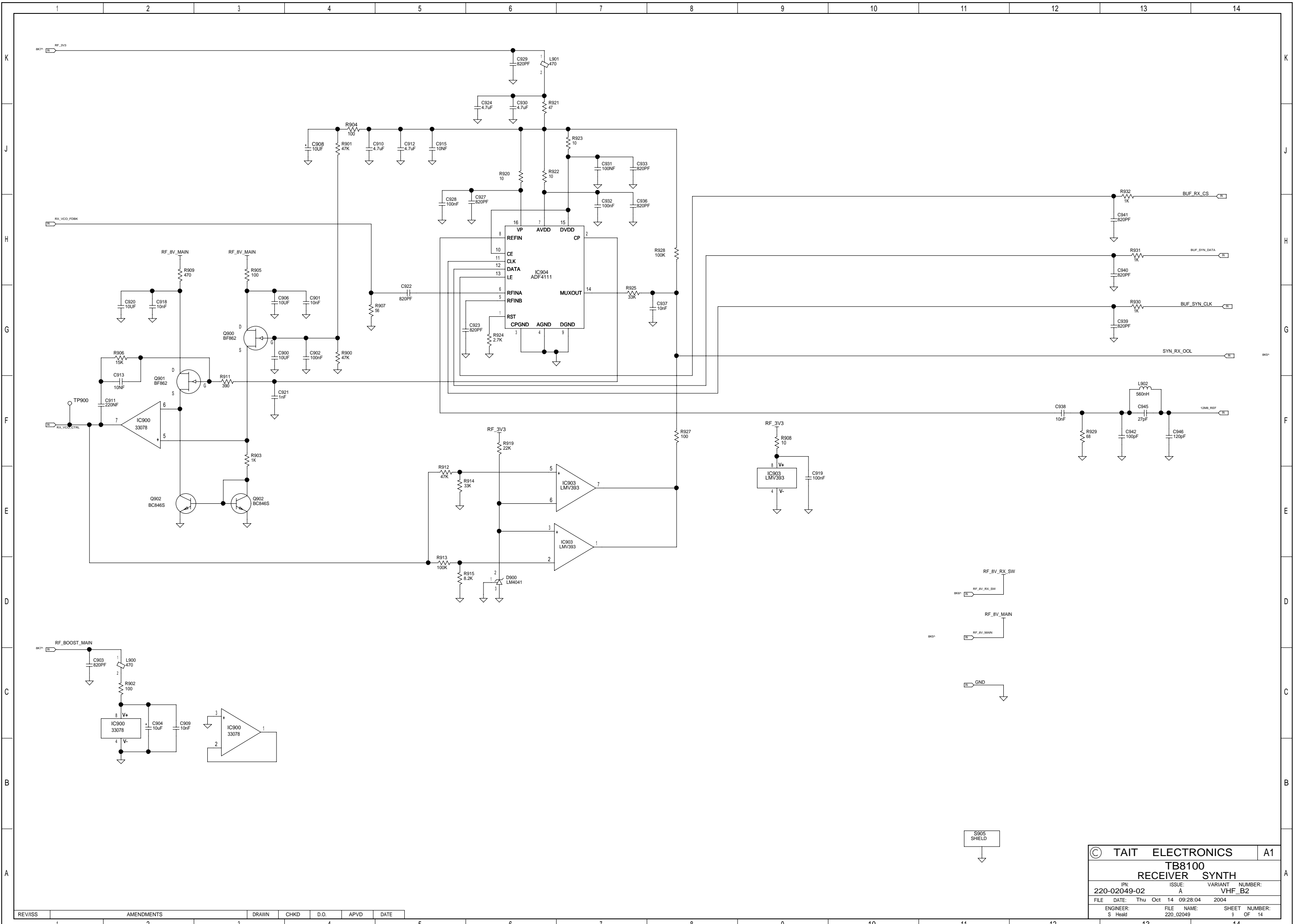
© TAIT ELECTRONICS		A1
TB8100		
IF		
IPN:	ISSUE:	VARIANT NUMBER:
220-02049-02	A	VHF_B2
FILE DATE:	Thu Oct 14 09:27:46	2004
ENGINEER:	FILE NAME:	SHEET NUMBER:
S Heald	220_02049	7 OF 14

REV/ISS	AMENDMENTS	DRAWN	CHKD	D.O.	APVD	DATE
1						



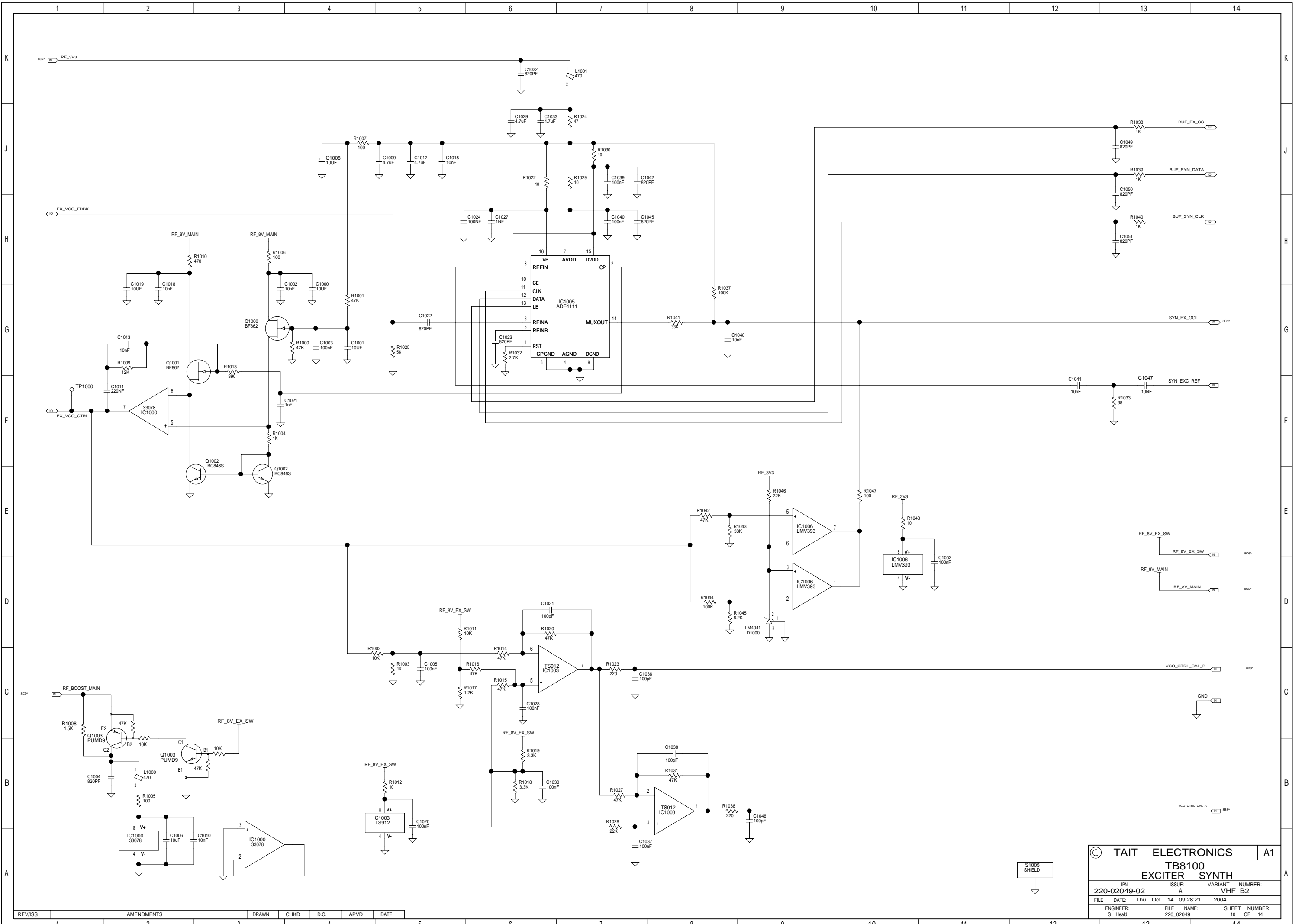
© TAIT ELECTRONICS		A1
<b>TB8100 SYNTH &amp; VCOS</b>		
IPN: 220-02049-02	ISSUE: A	VARIANT NUMBER: VHF_B2
FILE DATE: Thu Oct 14 09:27:52 2004	ENGINEER: S Heald	FILE NAME: 220_02049
REVISIONS	AMENDMENTS	DRAWN
CHKD	D.O.	APVD
DATE		
1	2	3
4	5	6
7	8	9
10	11	12
13	14	





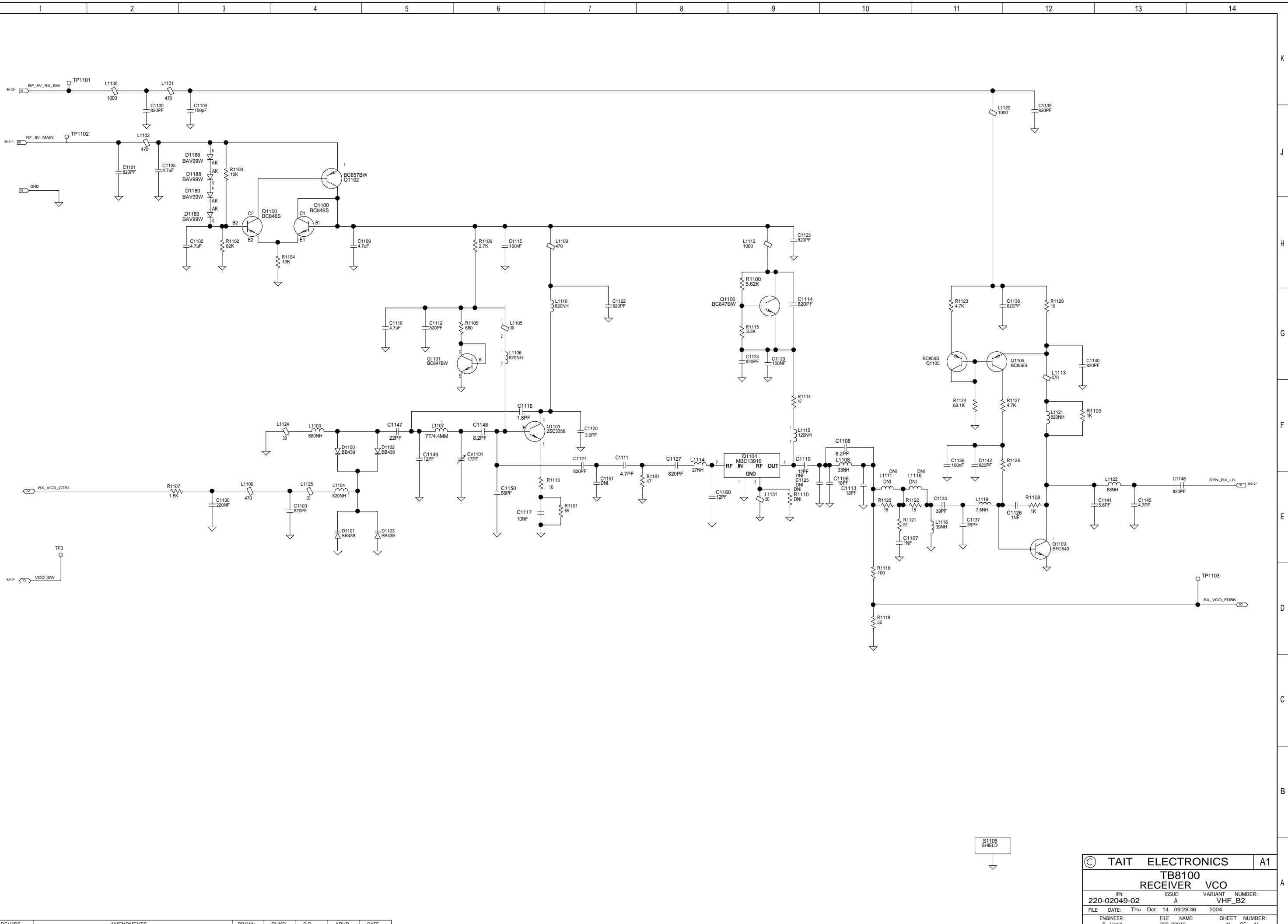
© TAIT ELECTRONICS		A1
<b>TB8100</b>		
<b>RECEIVER SYNTH</b>		
IPN: 220-02049-02	ISSUE: A	VARIANT NUMBER: VHF_B2
FILE DATE: Thu Oct 14 09:28:04 2004	FILE NAME: 220_02049	SHEET NUMBER: 9 OF 14
ENGINEER: S Heald		

REV/ISS	AMENDMENTS	DRAWN	CHKD	D.O.	APVD	DATE
1						



© TAIT ELECTRONICS		A1
<b>TB8100 EXCITER SYNTH</b>		
IPN: 220-02049-02	ISSUE: A	VARIANT NUMBER: VHF_B2
FILE DATE: Thu Oct 14 09:28:21 2004	ENGINEER: S Head	FILE NAME: 220_02049
		SHEET NUMBER: 10 OF 14

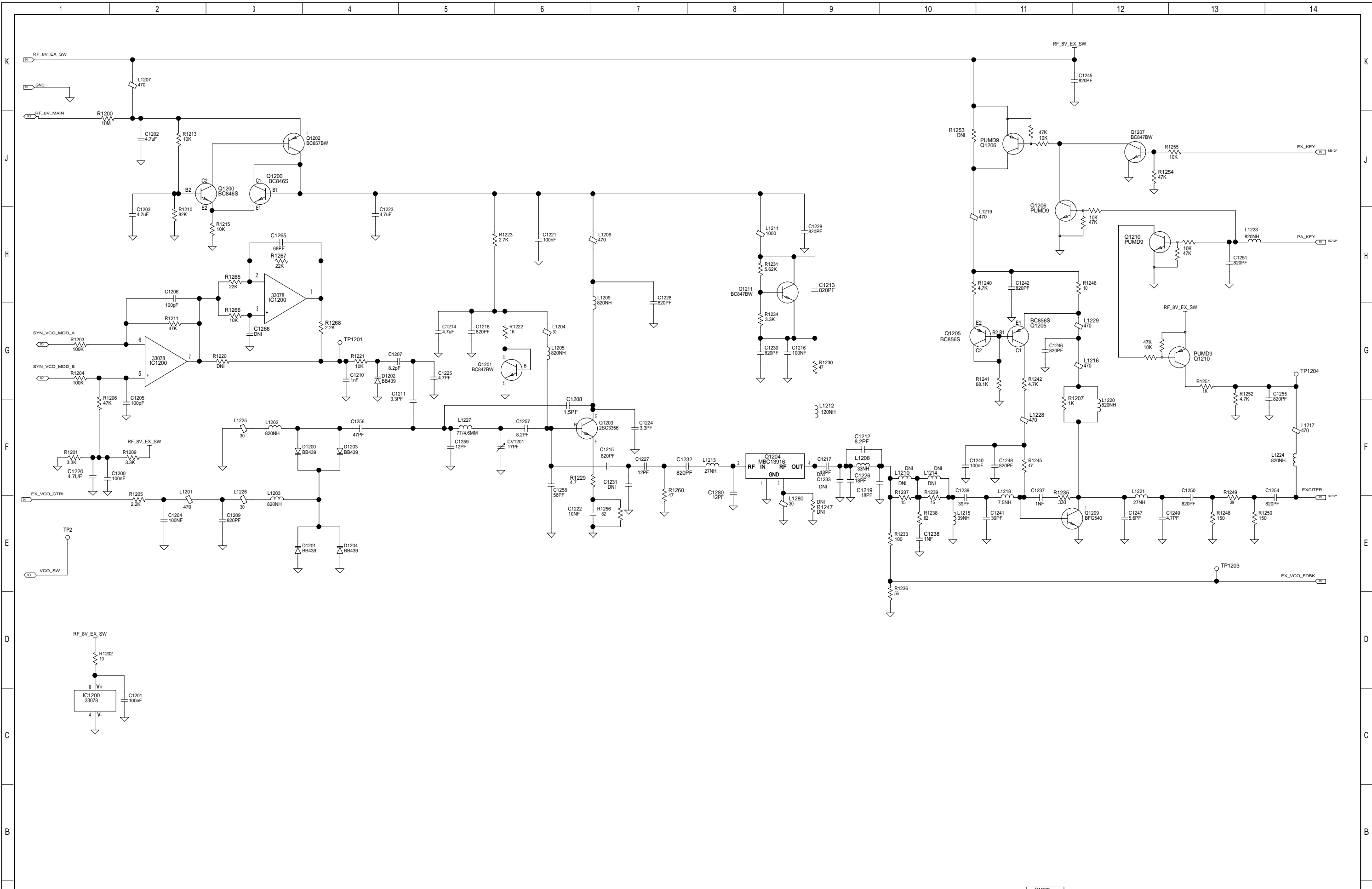
REV/ISS	AMENDMENTS	DRAWN	CHKD	D.O.	APVD	DATE
1						
2						
3						
4						
5						
6						
7						
8						
9						
10						
11						
12						
13						
14						



S1105 SHIELD

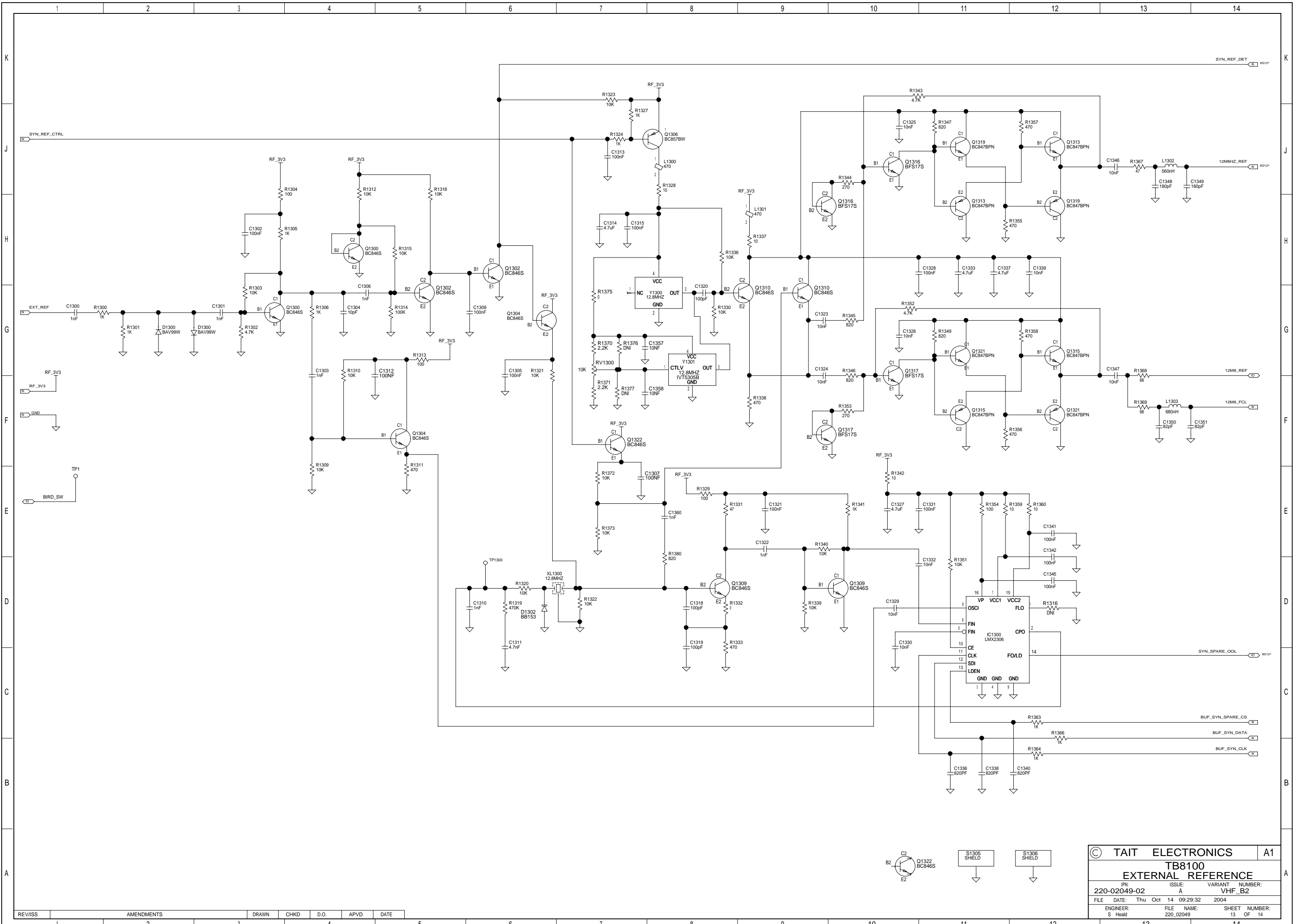
© TAIT ELECTRONICS		A1
<b>TB8100</b>		
<b>RECEIVER VCO</b>		
IPN: 220-02049-02	ISSUE: A	VARIANT NUMBER: VHF_B2
FILE DATE: Thu Oct 14 09:28:46 2004	FILE NAME: 220_02049	SHEET NUMBER: 11 OF 14
ENGINEER: S Heald	FILE NAME: 220_02049	SHEET NUMBER: 11 OF 14

REV/ISS	AMENDMENTS	DRAWN	CHKD	D.O.	APVD	DATE
1						



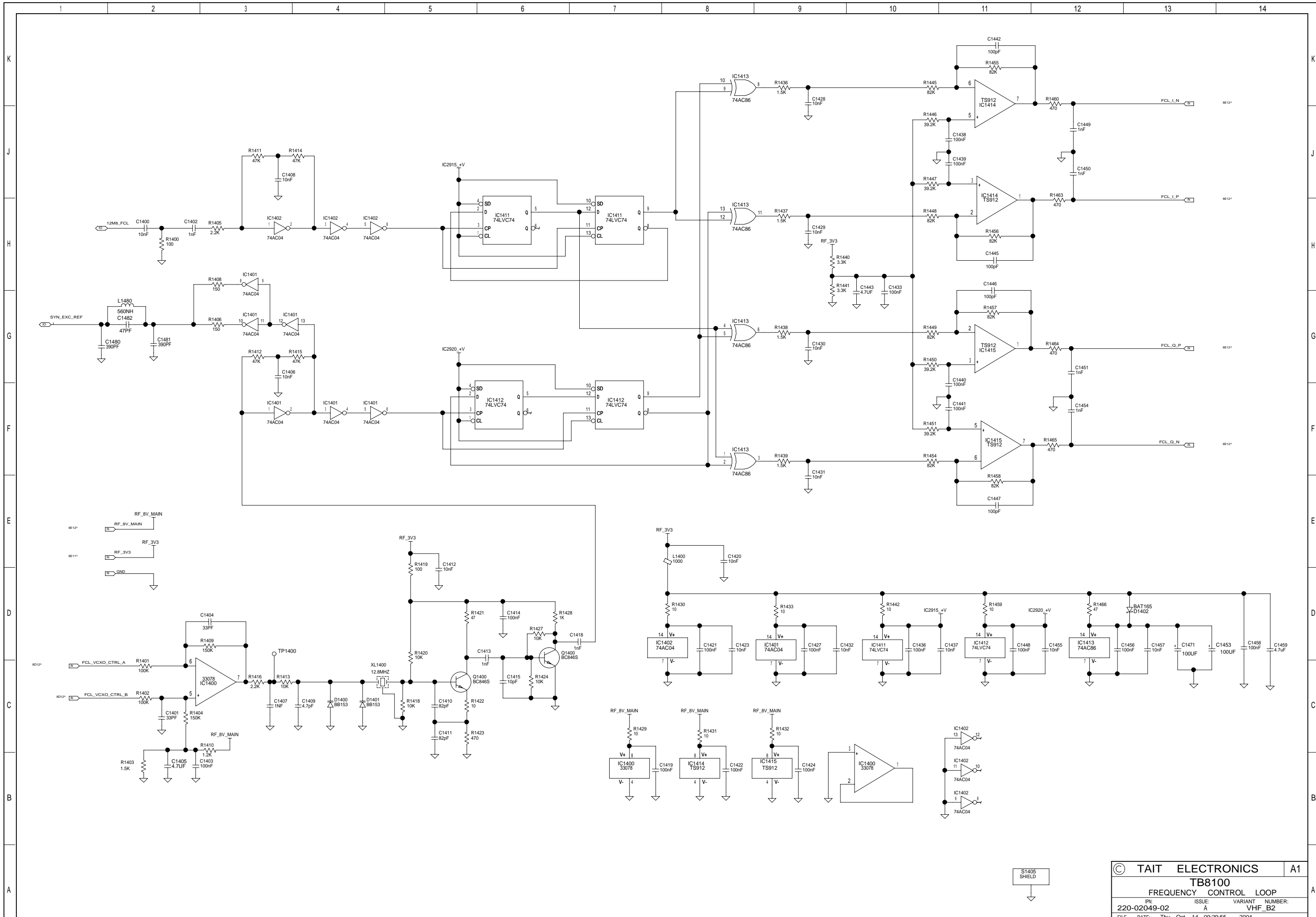
REV/ISS	AMENDMENTS	DRAWN	CHKD	D.O.	APVD	DATE
1						

© TAIT ELECTRONICS		A1
TB8100 EXCITER VCO		
IPN: 220-02049-02	ISSUE: A	VARIANT NUMBER: VHF_B2
FILE DATE: Thu Oct 14 09:29:09 2004	ENGINEER: S Heald	FILE NAME: 220_02049
		SHEET NUMBER: 12 OF 14



© TAIT ELECTRONICS		A1
<b>TB8100</b>		
<b>EXTERNAL REFERENCE</b>		
IPN: 220-02049-02	ISSUE: A	VARIANT NUMBER: VHF_B2
FILE DATE: Thu Oct 14 09:29:32 2004		
ENGINEER: S Heald	FILE NAME: 220_02049	SHEET NUMBER: 13 OF 14

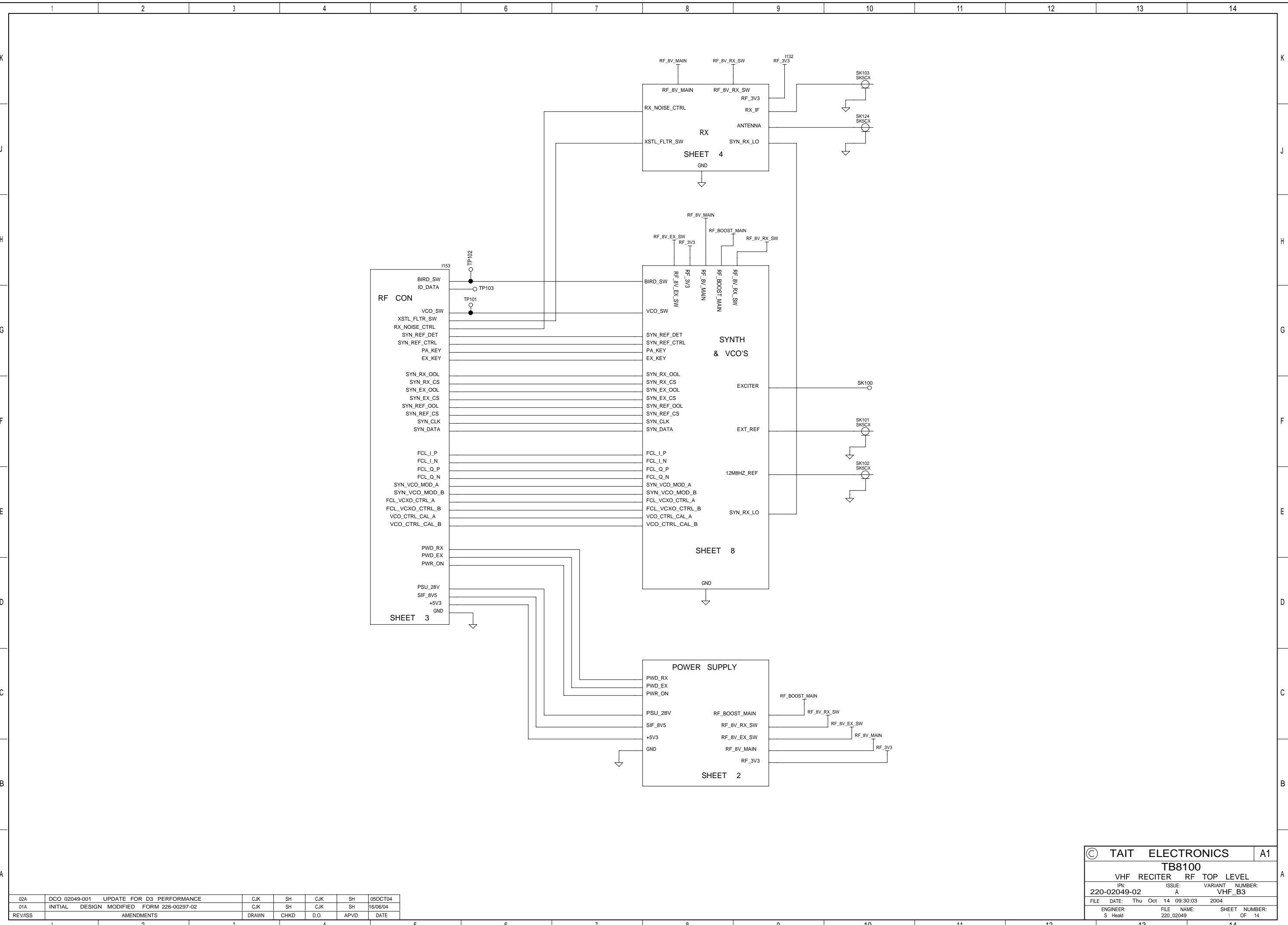
REV/ISS	AMENDMENTS	DRAWN	CHKD	D.O.	APVD	DATE
1						
2						
3						
4						
5						



S1405 SHIELD

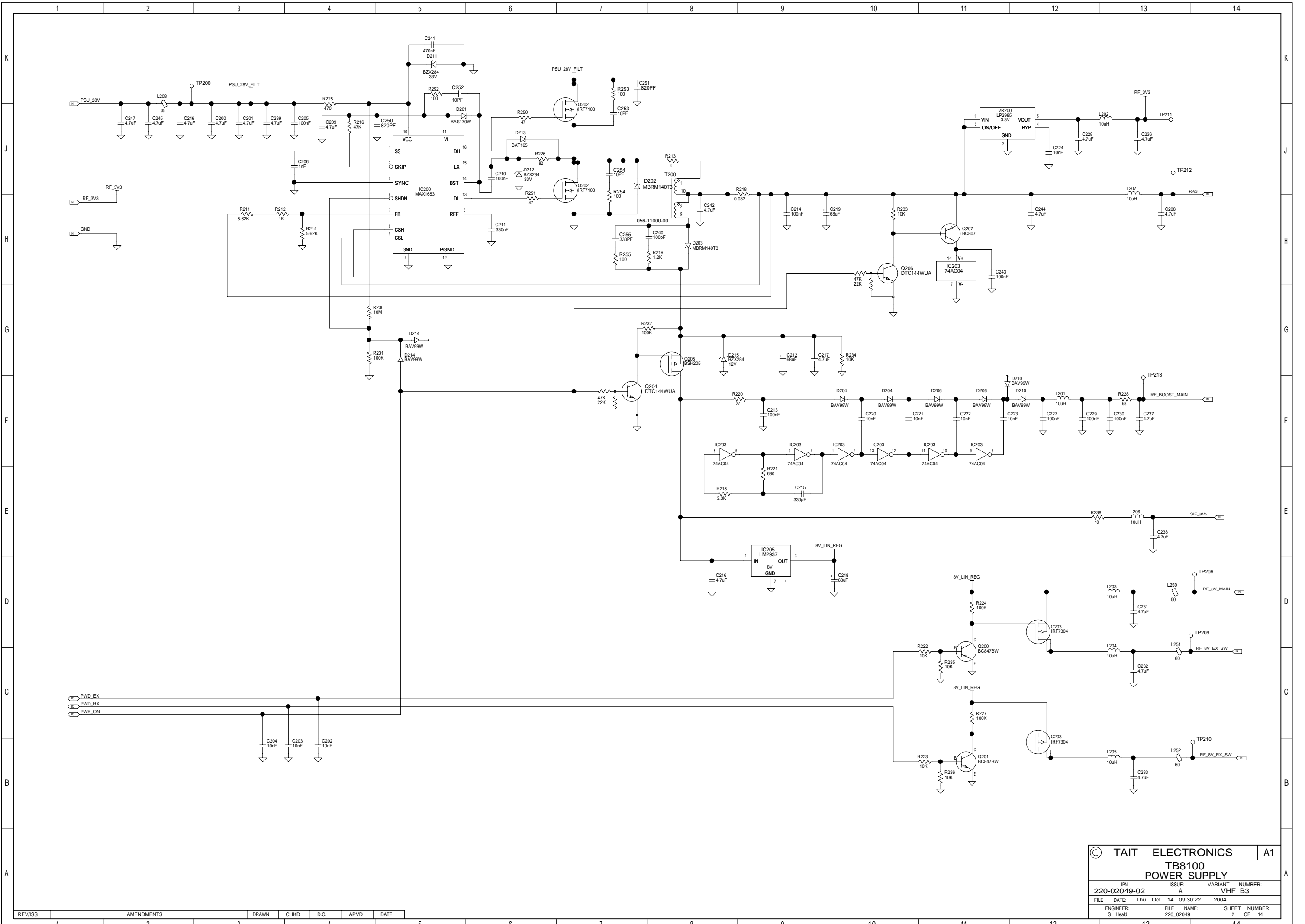
© TAIT ELECTRONICS		A1
<b>TB8100</b>		
FREQUENCY CONTROL LOOP		
IPN:	ISSUE:	VARIANT NUMBER:
220-02049-02	A	VHF_B2
FILE DATE:	Thu Oct 14 09:29:55	2004
ENGINEER:	FILE NAME:	SHEET NUMBER:
S Heald	220_02049	14 OF 14

REV/ISS	AMENDMENTS	DRAWN	CHKD	D.O.	APVD	DATE
1						
2						
3						
4						
5						
6						
7						
8						
9						
10						
11						
12						
13						
14						



02A	DCO 02049-001	UPDATE FOR D3 PERFORMANCE	CJK	SH	CJK	SH	05OCT04
01A	INITIAL	DESIGN	MODIFIED	FORM 226-00297-02	CJK	SH	16/06/04
REVISS	AMENDMENTS		DRAWN	CHKD	D.O.	APVD	DATE

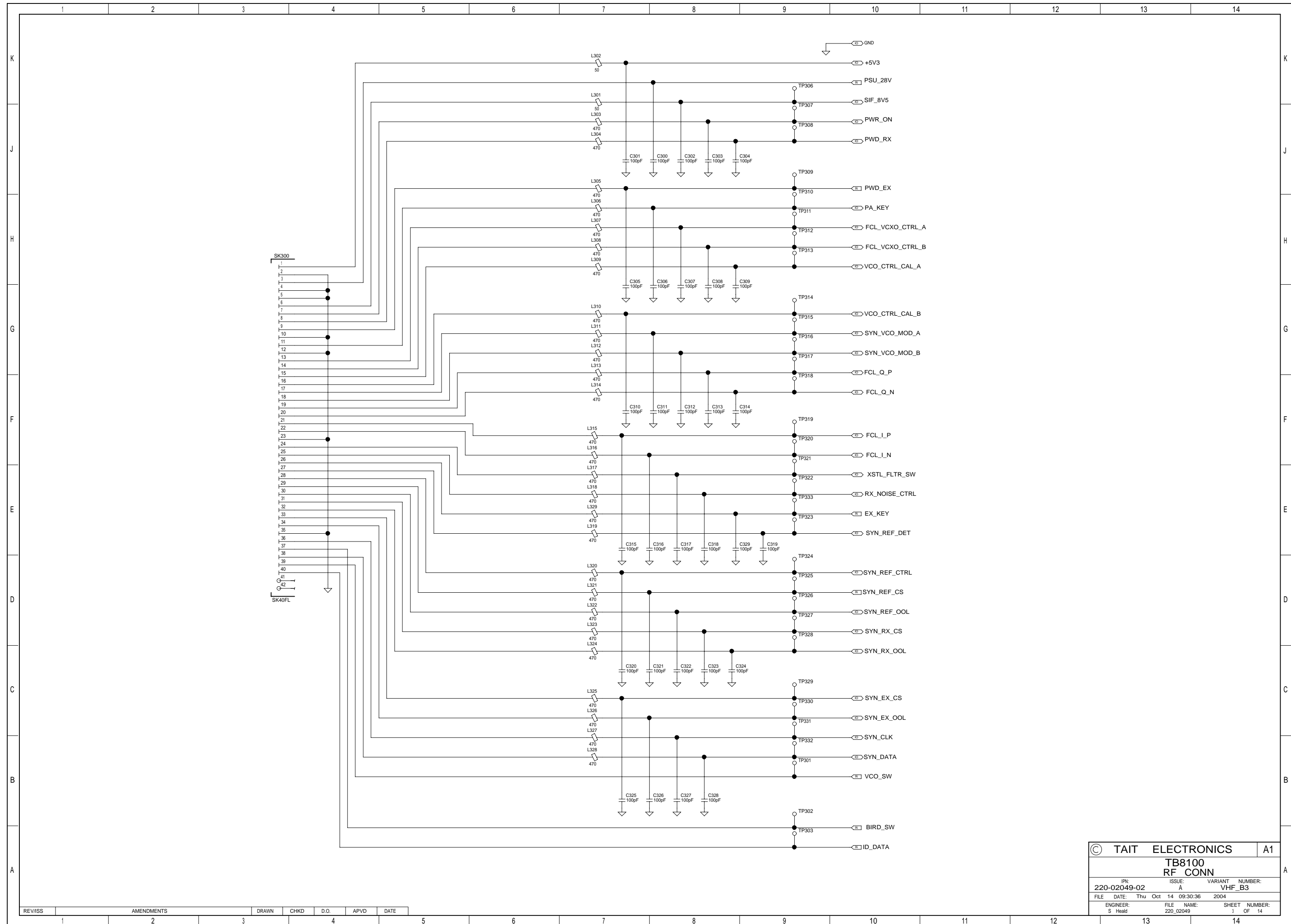
© TAIT ELECTRONICS		A1
<b>TB8100</b>		
VHF RECITER RF TOP LEVEL		
IPN:	ISSUE:	VARIANT NUMBER:
220-02049-02	A	VHF_B3
FILE DATE:	Thu Oct 14 09:30:03 2004	
ENGINEER:	FILE NAME:	SHEET NUMBER:
S Heald	220_02049	1 OF 14



© TAIT ELECTRONICS		A1
<b>TB8100 POWER SUPPLY</b>		
IPN: 220-02049-02	ISSUE: A	VARIANT NUMBER: VHF_B3
FILE DATE: Thu Oct 14 09:30:22 2004		
ENGINEER: S Heald	FILE NAME: 220_02049	SHEET NUMBER: 2 OF 14

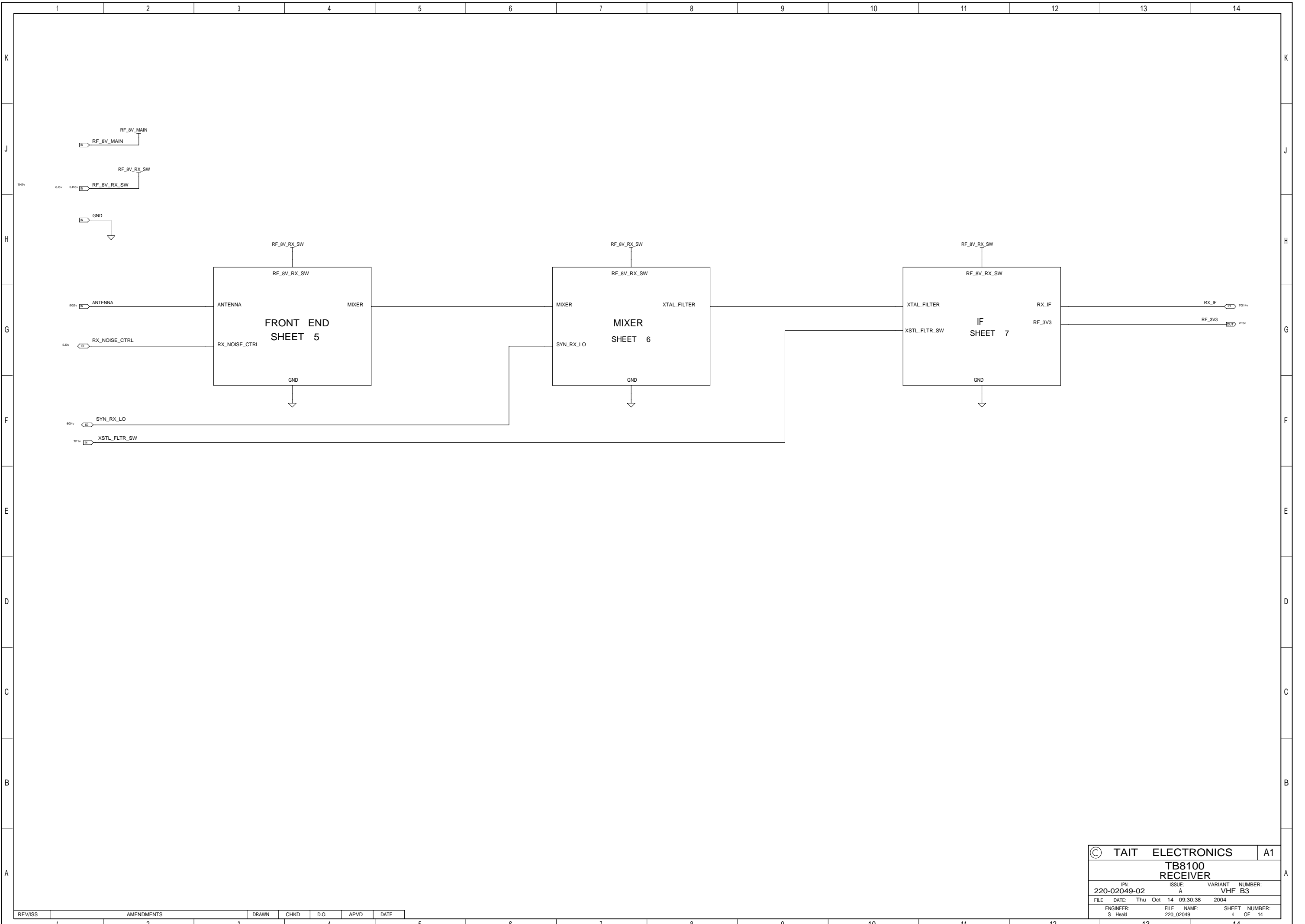
REV/ISS	AMENDMENTS	DRAWN	CHKD	D.O.	APVD	DATE
1						
2						
3						
4						
5						
6						
7						
8						
9						
10						
11						
12						
13						
14						





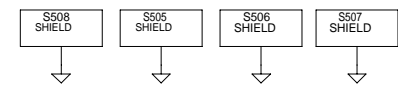
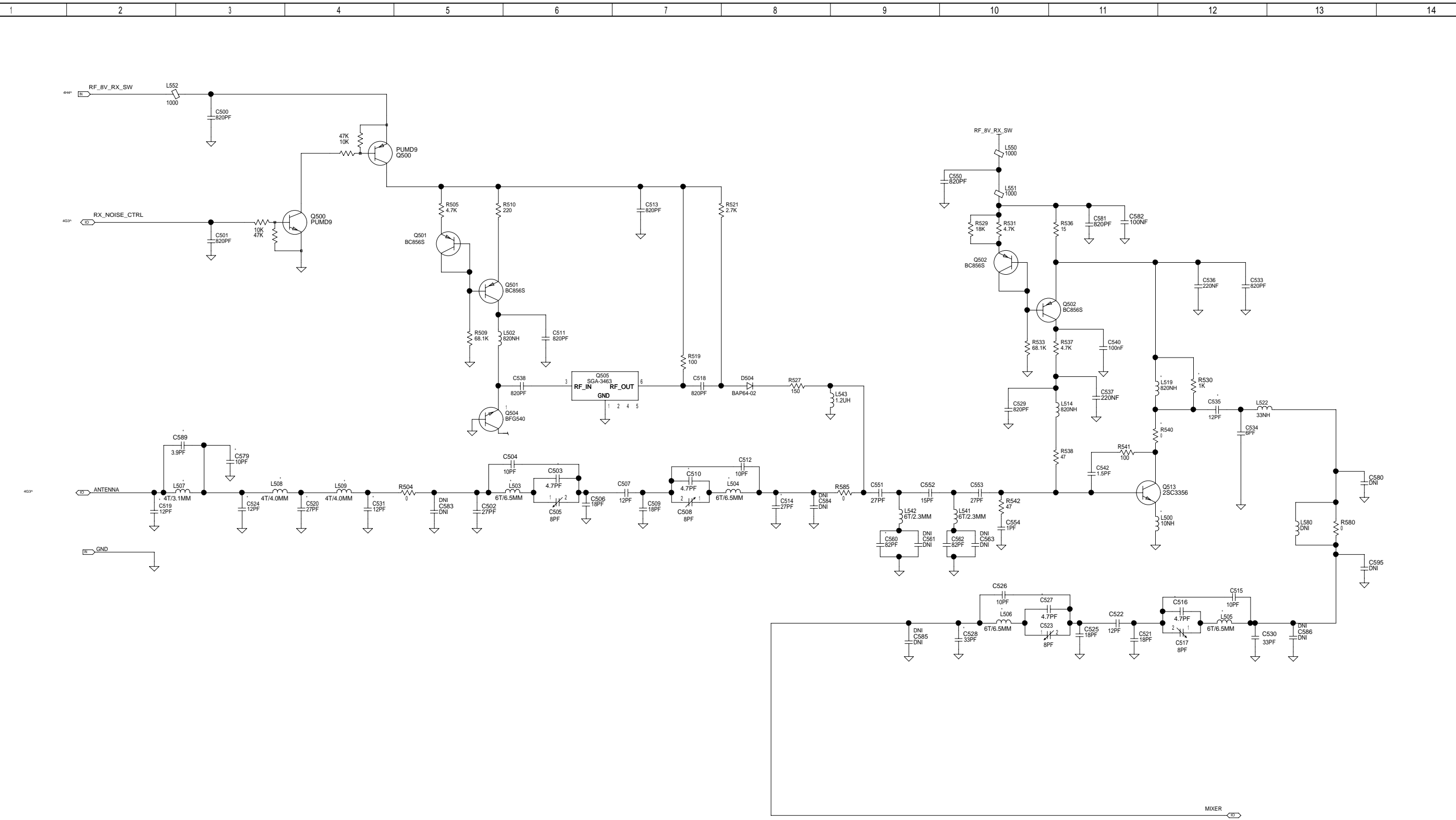
© TAIT ELECTRONICS		A1
<b>TB8100</b>		
<b>RF CONN</b>		
IPN:	ISSUE:	VARIANT NUMBER:
220-02049-02	A	VHF_B3
FILE DATE:	Thu Oct 14 09:30:36 2004	
ENGINEER:	FILE NAME:	SHEET NUMBER:
S Heald	220_02049	3 OF 14

REV/ISS	AMENDMENTS	DRAWN	CHKD	D.O.	APVD	DATE
1						



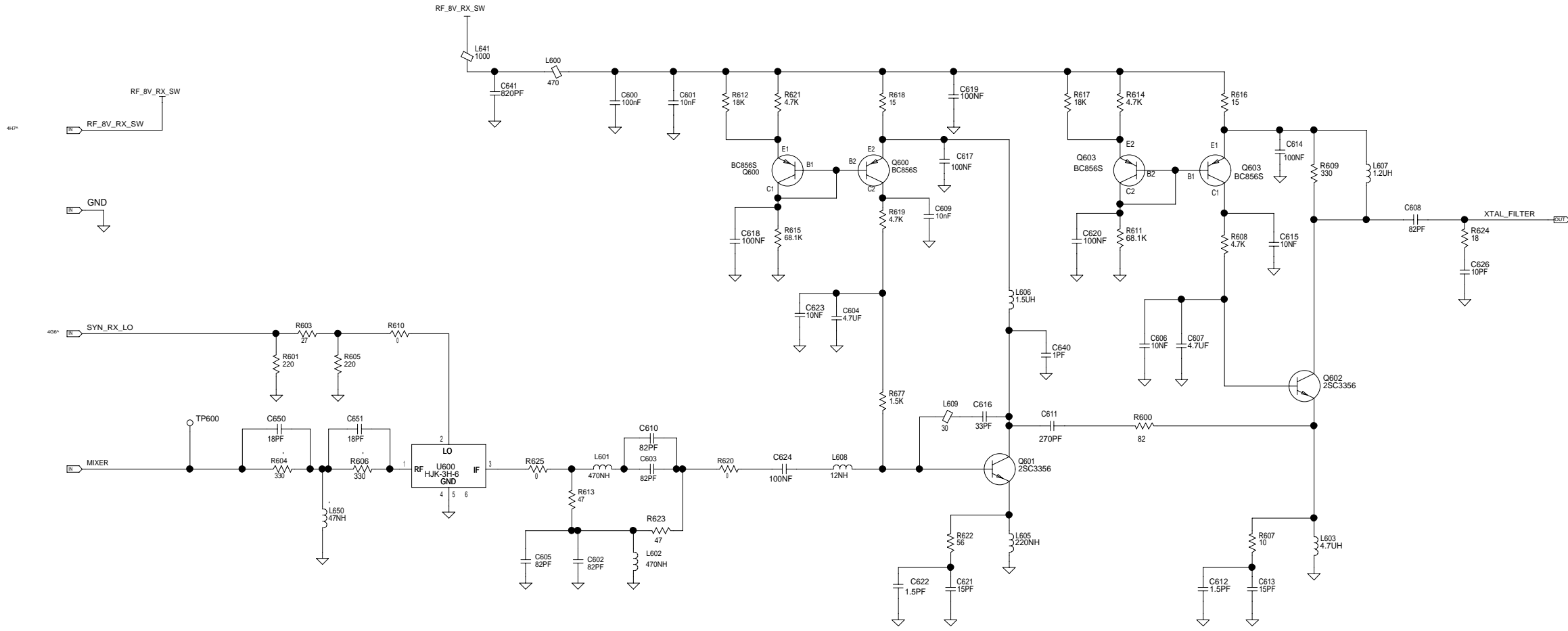
© TAIT ELECTRONICS		A1
<b>TB8100 RECEIVER</b>		
IPN: 220-02049-02	ISSUE: A	VARIANT NUMBER: VHF_B3
FILE DATE: Thu Oct 14 09:30:38 2004		
ENGINEER: S Heald	FILE NAME: 220_02049	SHEET NUMBER: 4 OF 14

REV/ISS	AMENDMENTS	DRAWN	CHKD	D.O.	APVD	DATE
1						
2						
3						
4						
5						
6						
7						
8						
9						
10						
11						
12						
13						
14						



© TAIT ELECTRONICS		A1
<b>TB8100 FRONT END</b>		
IPN: 220-02049-02	ISSUE: A	VARIANT NUMBER: VHF_B3
FILE DATE: Thu Oct 14 09:31:05 2004	ENGINEER: S Heald	FILE NAME: 220_02049
REV/ISS	AMENDMENTS	SHEET NUMBER: 5 OF 14

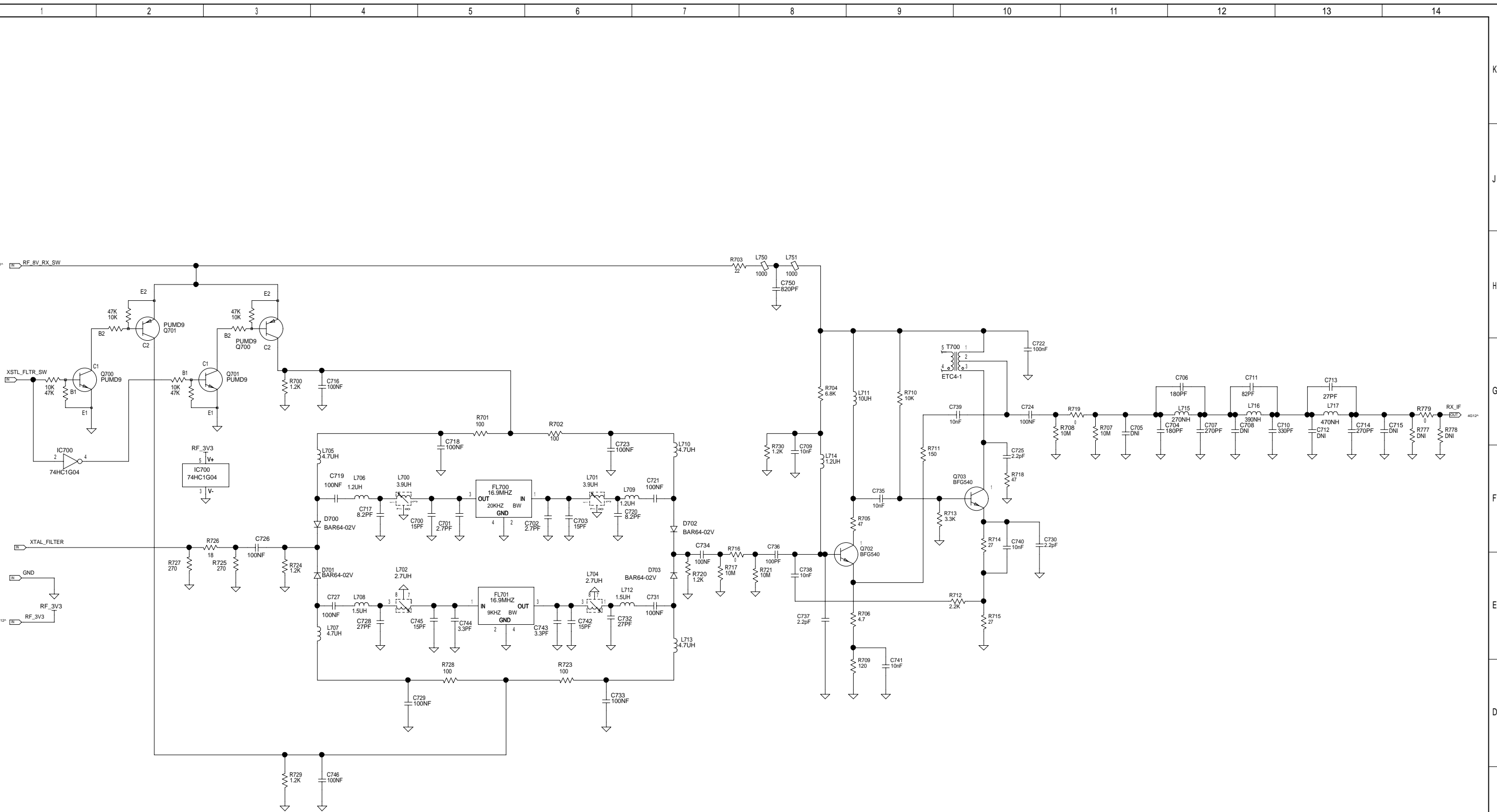
REV/ISS	AMENDMENTS	DRAWN	CHKD	D.O.	APVD	DATE
1						



S605  
SHIELD  
↓

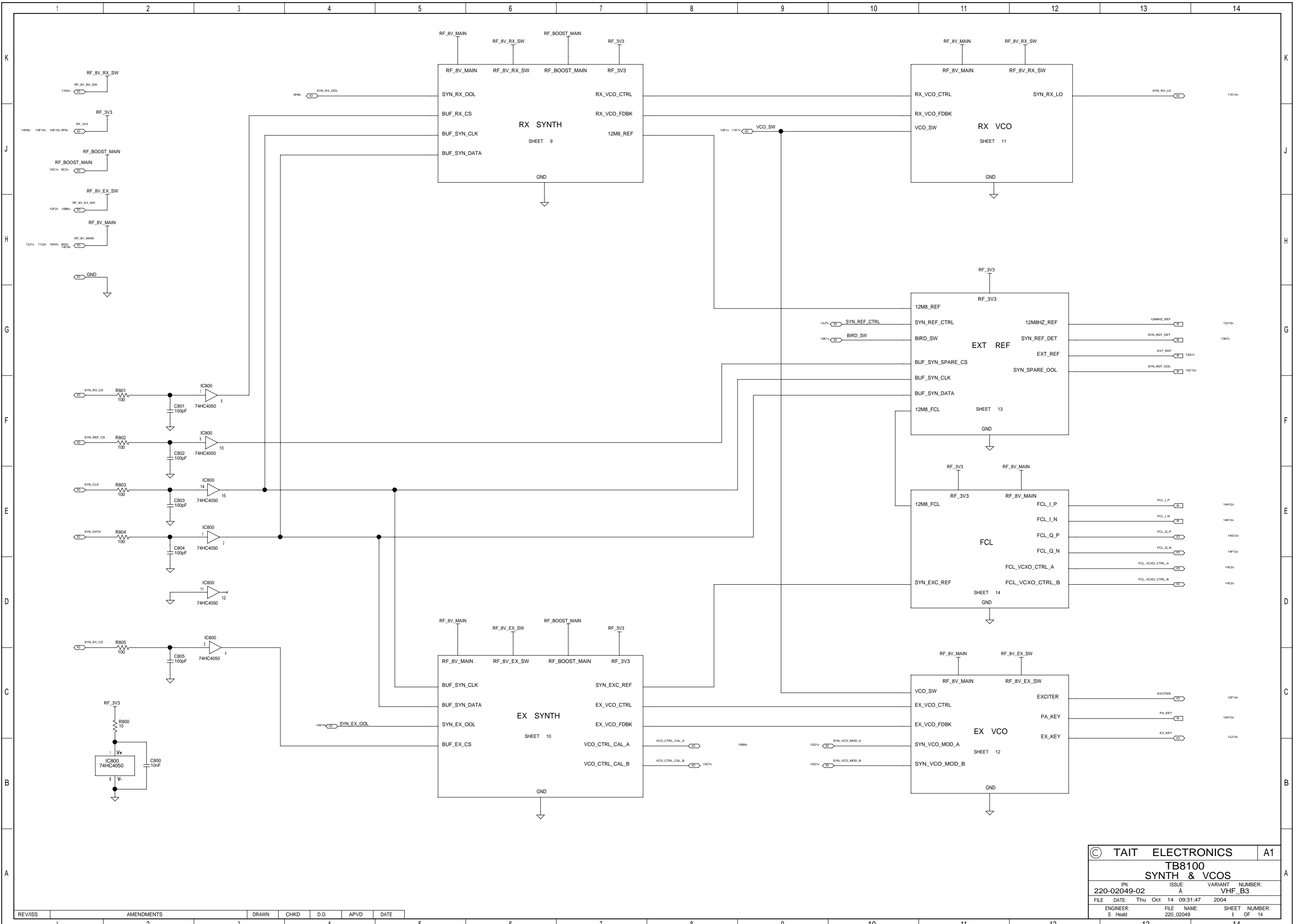
© TAIT ELECTRONICS		A1
<b>TB8100 MIXER</b>		
IPN: 220-02049-02	ISSUE: A	VARIANT NUMBER: VHF_B3
FILE DATE: Thu Oct 14 09:31:25 2004	FILE NAME: 220_02049	SHEET NUMBER: 6 OF 14
ENGINEER: S Heald		

REV/ISS	AMENDMENTS	DRAWN	CHKD	D.O.	APVD	DATE
1						
2						
3						
4						
5						

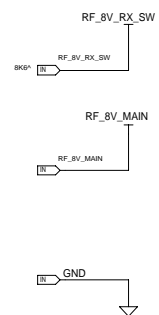
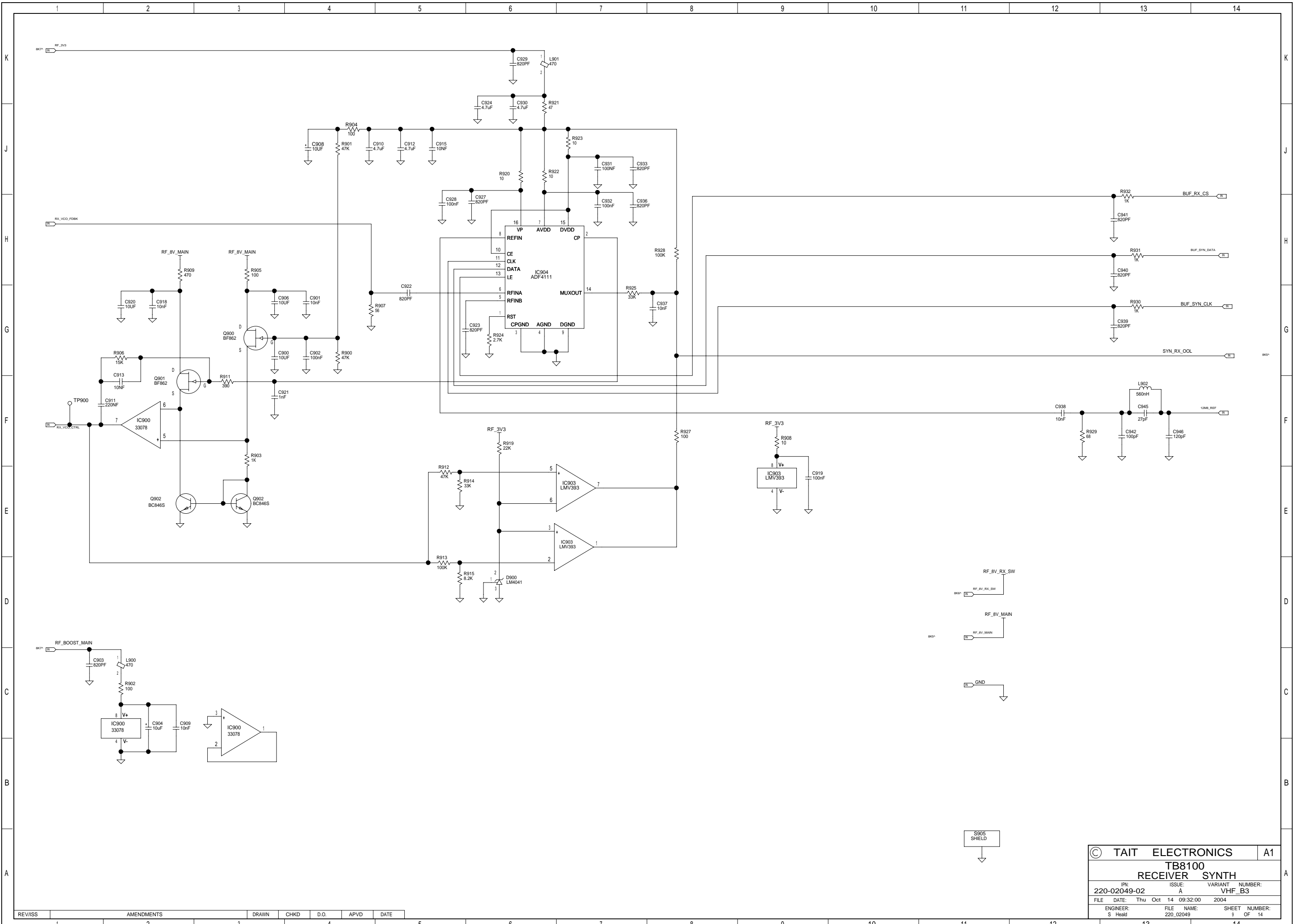


© TAIT ELECTRONICS		A1
TB8100		
IF		
IPN:	ISSUE:	VARIANT NUMBER:
220-02049-02	A	VHF_B3
FILE DATE:	Thu Oct 14 09:31:41	2004
ENGINEER:	FILE NAME:	SHEET NUMBER:
S Heald	220_02049	7 OF 14

REV/ISS	AMENDMENTS	DRAWN	CHKD	D.O.	APVD	DATE
1						

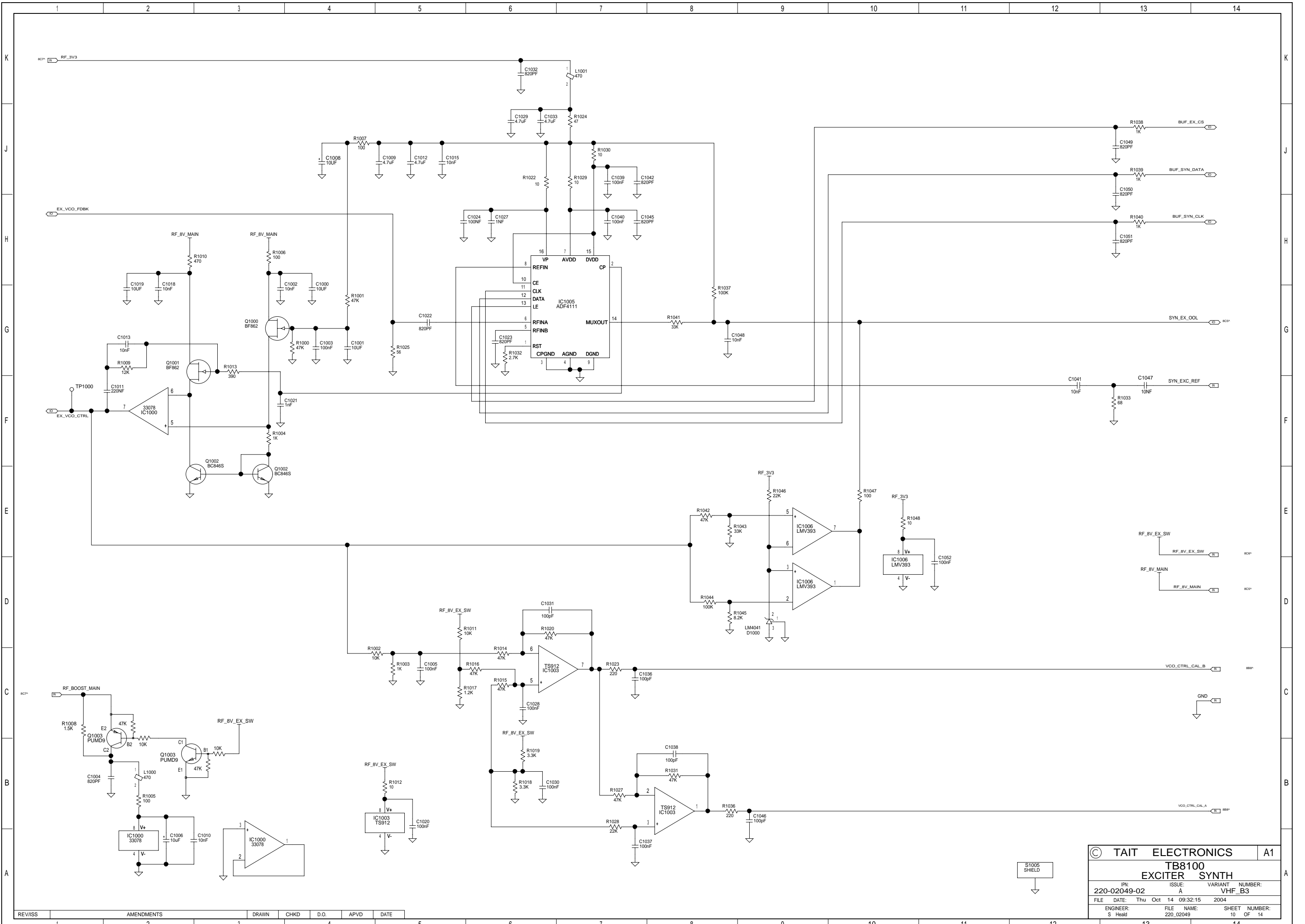


© TAIT ELECTRONICS		A1
<b>TB8100 SYNTH &amp; VCOS</b>		
IPN: 220-02049-02	ISSUE: A	VARIANT NUMBER: VHF_B3
FILE DATE: Thu Oct 14 09:31:47 2004	ENGINEER: S Heald	FILE NAME: 220_02049
REVISIONS	AMENDMENTS	DRAWN
CHKD	D.O.	APVD
DATE		
1		
2		
3		
4		
5		
6		
7		
8		
9		
10		
11		
12		
13		
14		



© TAIT ELECTRONICS		A1
<b>TB8100</b>		
<b>RECEIVER SYNTH</b>		
IPN: 220-02049-02	ISSUE: A	VARIANT NUMBER: VHF_B3
FILE DATE: Thu Oct 14 09:32:00 2004	FILE NAME: 220_02049	SHEET NUMBER: 9 OF 14
ENGINEER: S Heald		

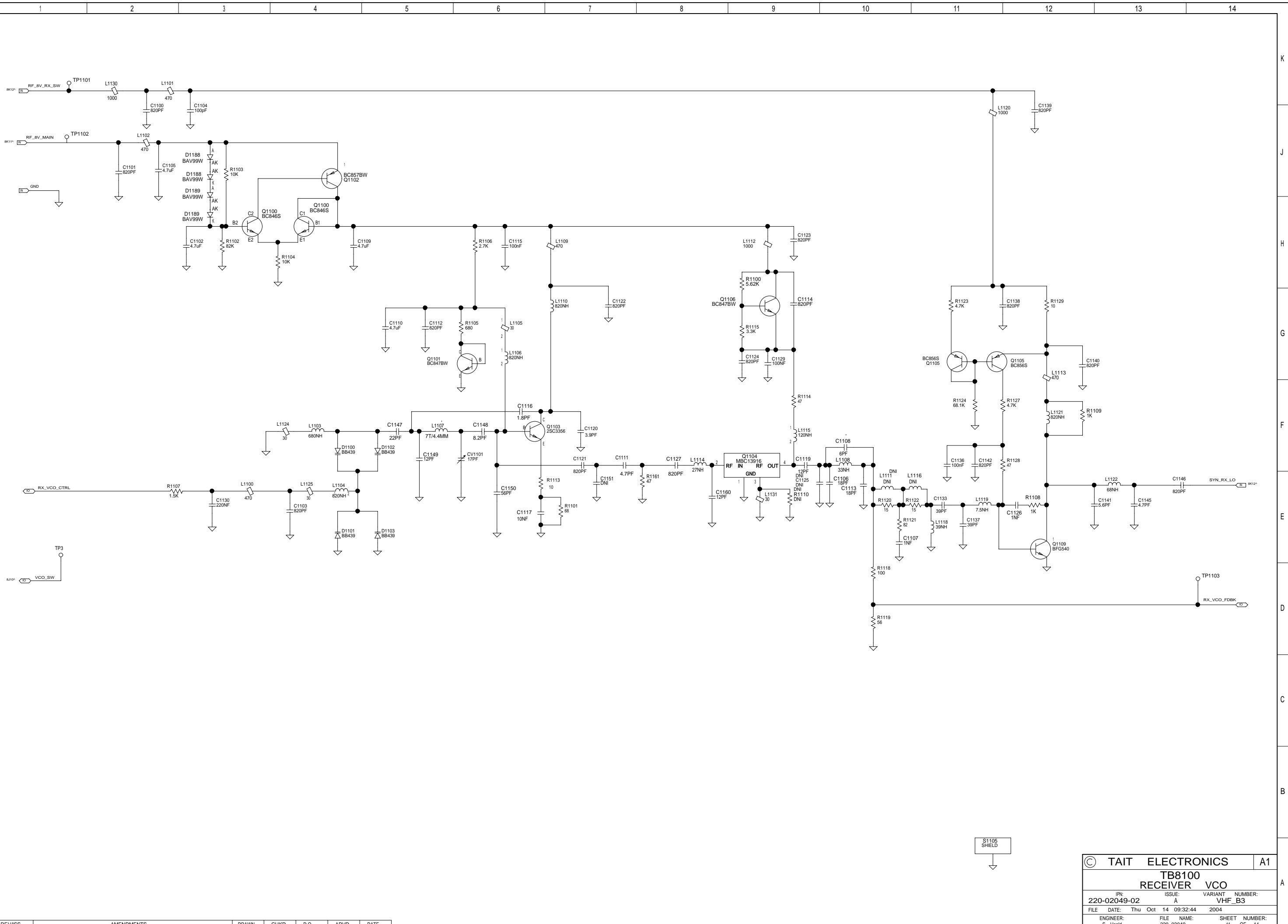
REV/ISS	AMENDMENTS	DRAWN	CHKD	D.O.	APVD	DATE
1						



© TAIT ELECTRONICS		A1
<b>TB8100 EXCITER SYNTH</b>		
IPN: 220-02049-02	ISSUE: A	VARIANT NUMBER: VHF_B3
FILE DATE: Thu Oct 14 09:32:15 2004	ENGINEER: S Head	FILE NAME: 220_02049
SHEET NUMBER: 10 OF 14		

REV/ISS	AMENDMENTS	DRAWN	CHKD	D.O.	APVD	DATE
1						
2						
3						
4						
5						
6						
7						
8						
9						
10						
11						
12						
13						
14						

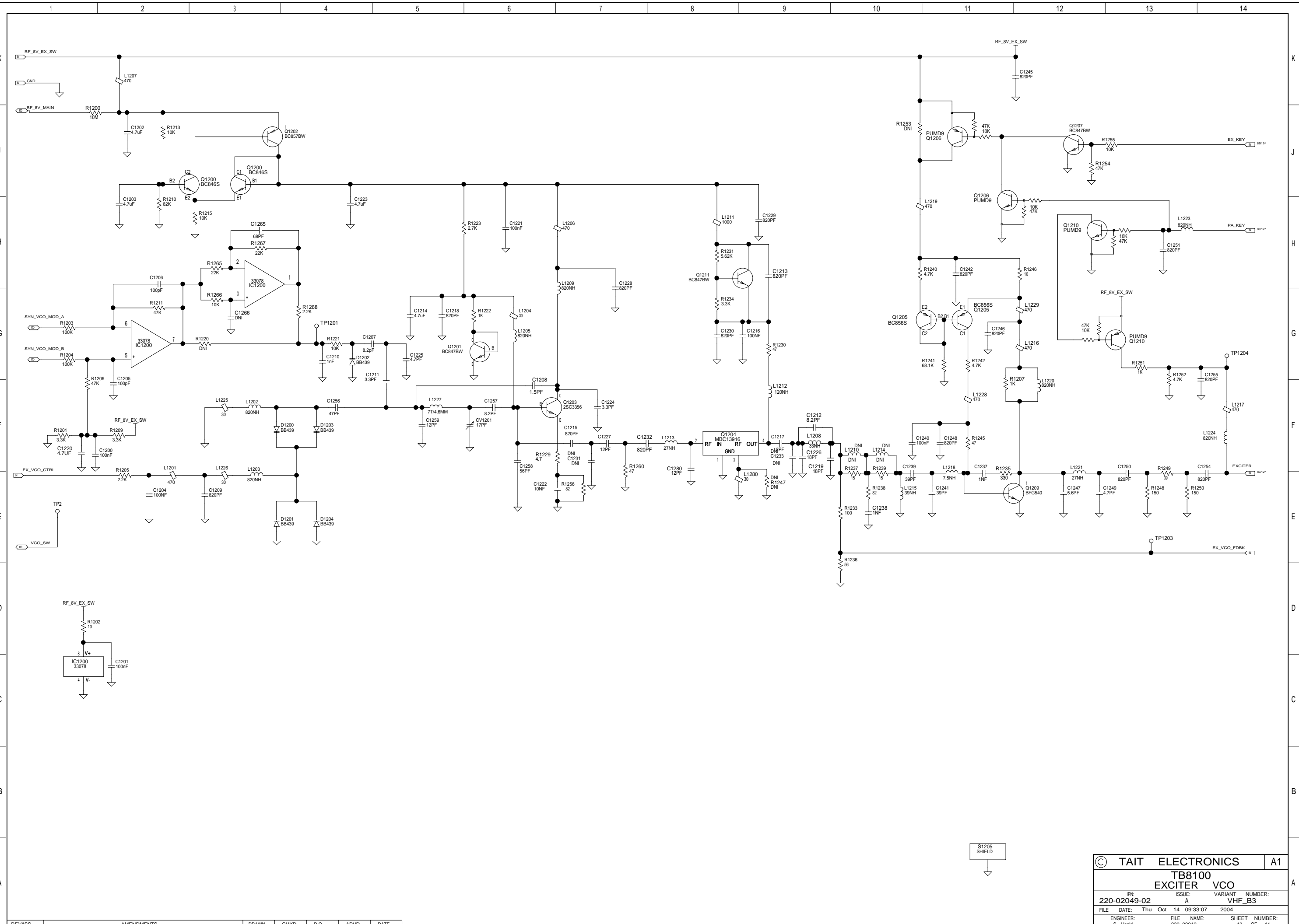




S1105 SHIELD

© TAIT ELECTRONICS		A1
<b>TB8100</b>		
<b>RECEIVER VCO</b>		
IPN: 220-02049-02	ISSUE: A	VARIANT NUMBER: VHF_B3
FILE DATE: Thu Oct 14 09:32:44 2004	ENGINEER: S Heald	FILE NAME: 220_02049
		SHEET NUMBER: 11 OF 14

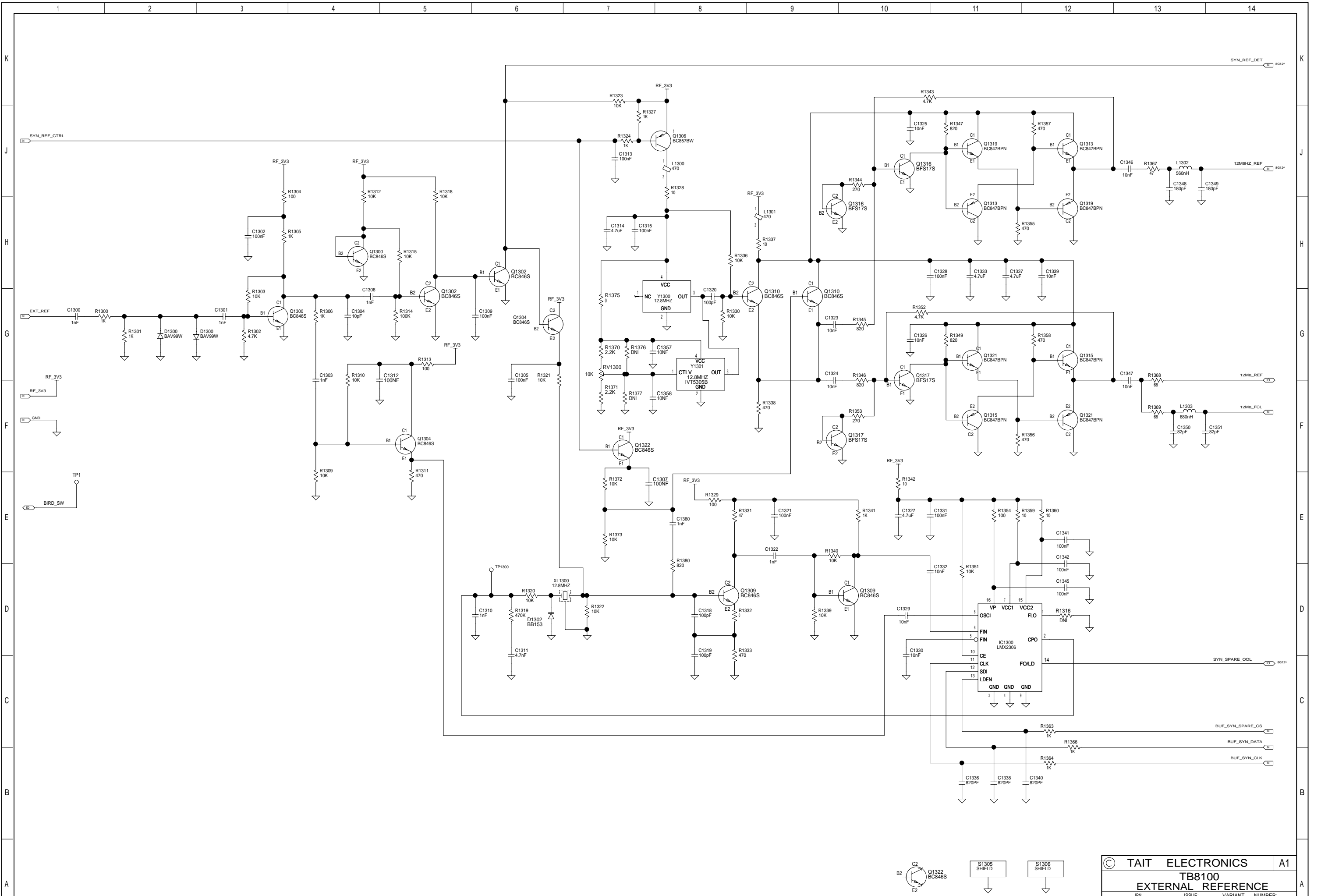
REV/ISS	AMENDMENTS	DRAWN	CHKD	D.O.	APVD	DATE
1						



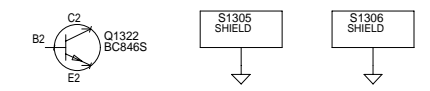
REV/ISS	AMENDMENTS	DRAWN	CHKD	D.O.	APVD	DATE
1						

© TAIT ELECTRONICS		A1
<b>TB8100</b>		
<b>EXCITER VCO</b>		
IPN: 220-02049-02	ISSUE: A	VARIANT NUMBER: VHF_B3
FILE DATE: Thu Oct 14 09:33:07 2004	ENGINEER: S Heald	SHEET NUMBER: 12 OF 14

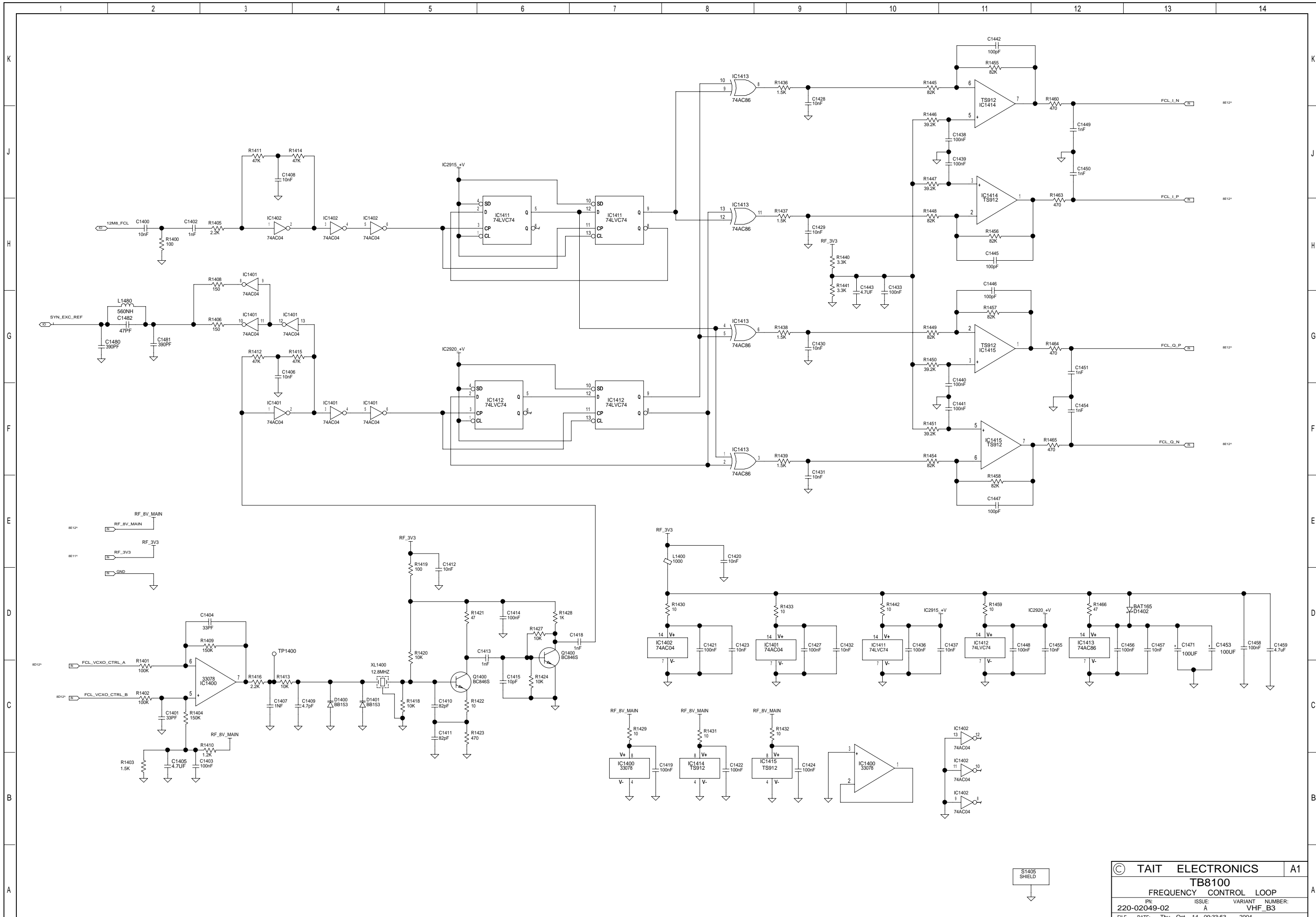
S1205 SHIELD



REV/ISS	AMENDMENTS	DRAWN	CHKD	D.O.	APVD	DATE
1						

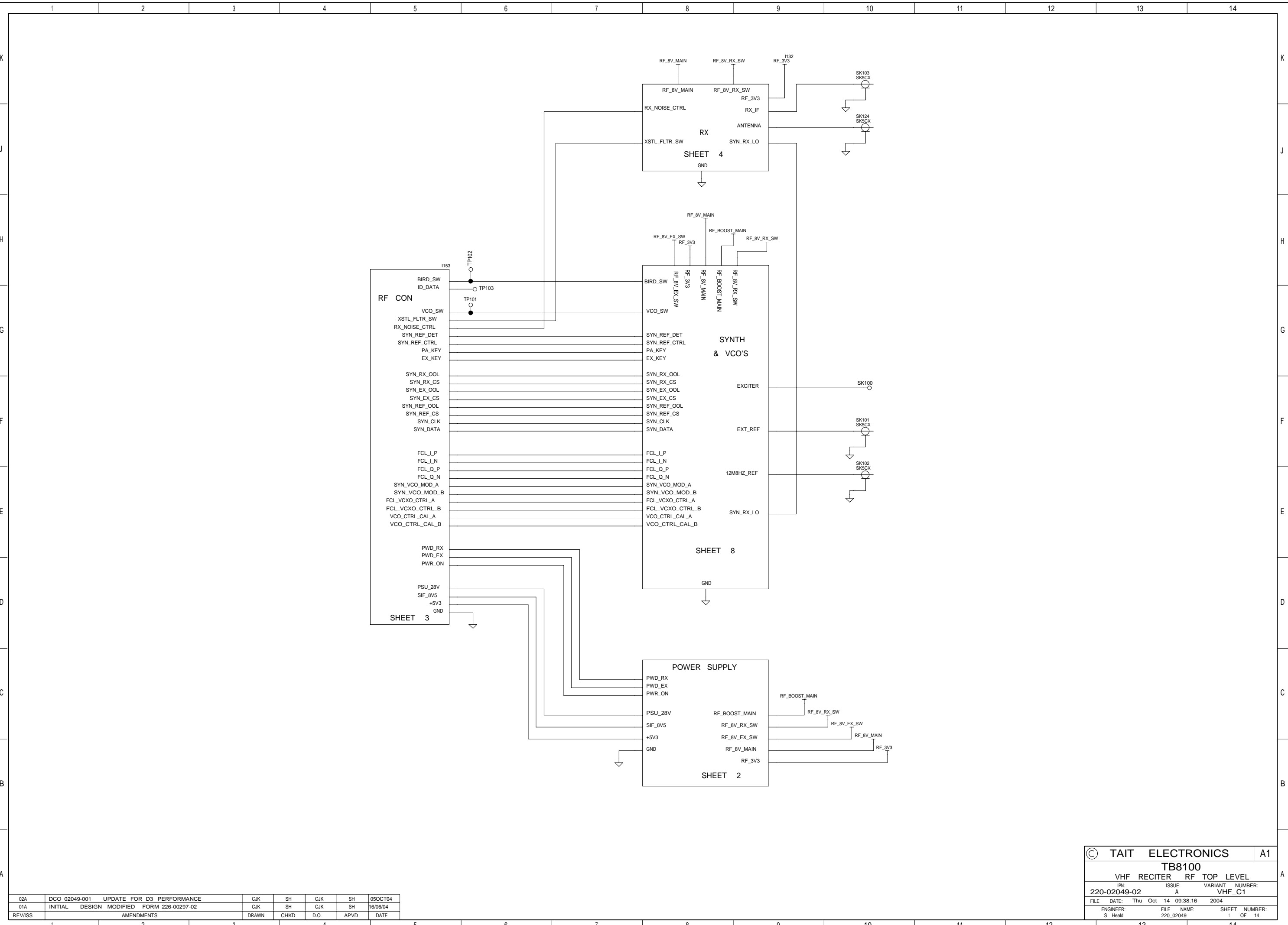


© TAIT ELECTRONICS		A1
<b>TB8100</b>		
<b>EXTERNAL REFERENCE</b>		
IPN: 220-02049-02	ISSUE: A	VARIANT NUMBER: VHF_B3
FILE DATE: Thu Oct 14 09:33:30 2004	FILE NAME: 220_02049	SHEET NUMBER: 13 OF 14
ENGINEER: S Heald		



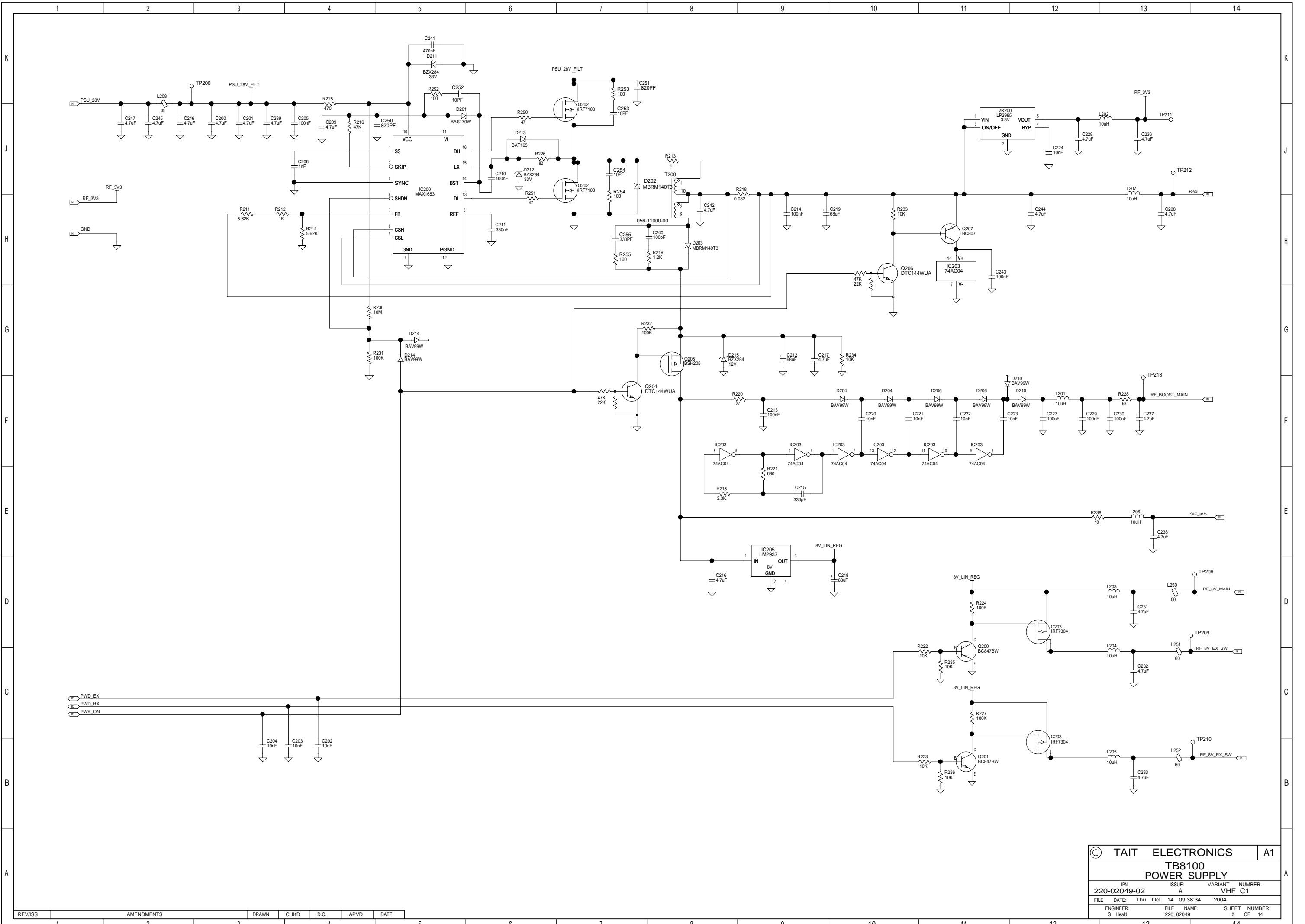
© TAIT ELECTRONICS		A1
<b>TB8100</b>		
FREQUENCY CONTROL LOOP		
IPN:	ISSUE:	VARIANT NUMBER:
220-02049-02	A	VHF_B3
FILE DATE:	Thu Oct 14 09:33:53	2004
ENGINEER:	FILE NAME:	SHEET NUMBER:
S Heald	220_02049	14 OF 14

REV/ISS	AMENDMENTS	DRAWN	CHKD	D.O.	APVD	DATE
1						
2						
3						
4						
5						
6						
7						
8						
9						
10						
11						
12						
13						
14						

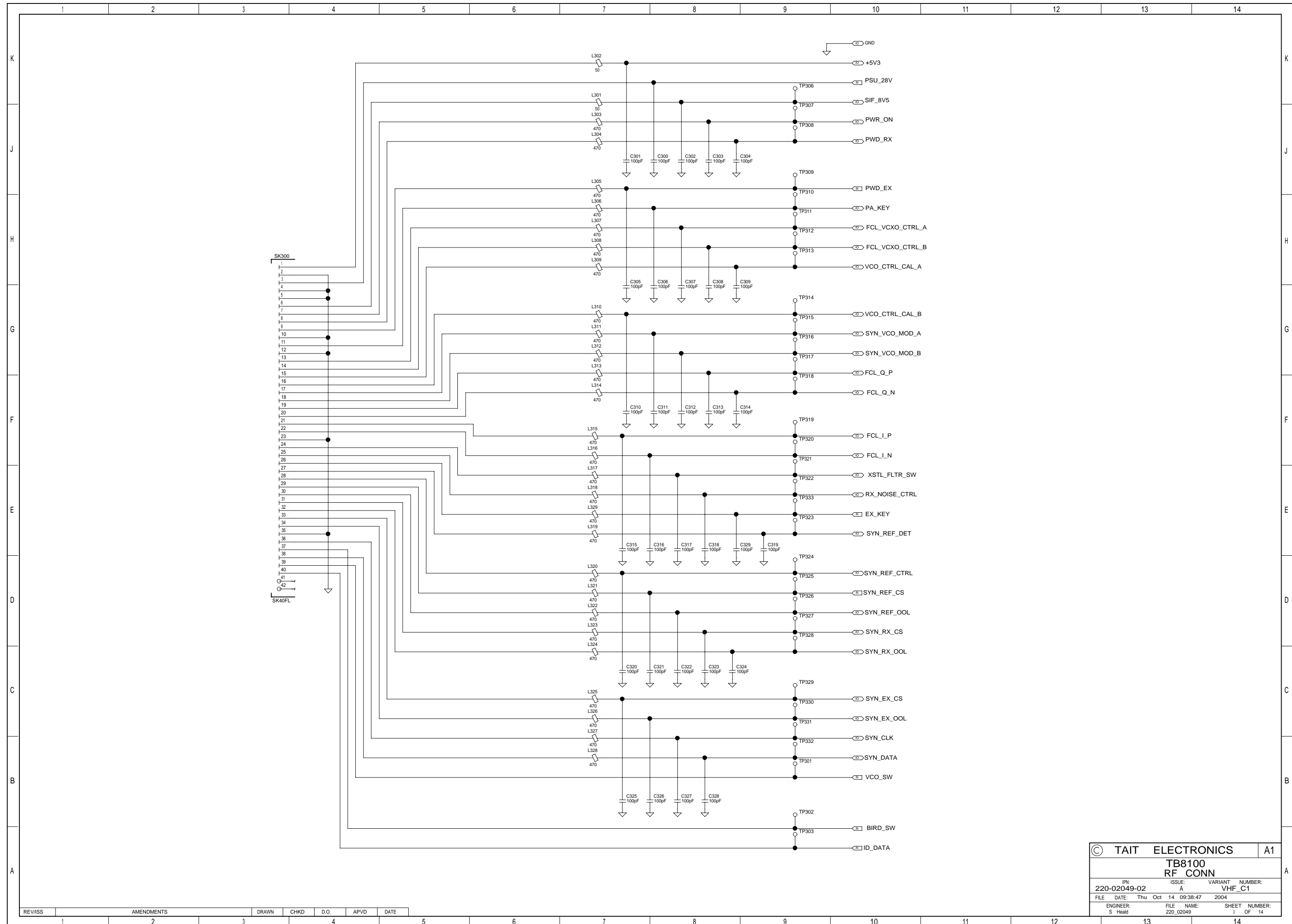


02A	DCO 02049-001	UPDATE FOR D3 PERFORMANCE	CJK	SH	CJK	SH	05OCT04
01A	INITIAL	DESIGN	MODIFIED	FORM 226-00297-02	CJK	SH	16/06/04
REVISS	AMENDMENTS		DRAWN	CHKD	D.O.	APVD	DATE

© TAIT ELECTRONICS		A1
<b>TB8100</b>		
VHF RECITER RF TOP LEVEL		
IPN:	ISSUE:	VARIANT NUMBER:
220-02049-02	A	VHF_C1
FILE DATE:	Thu Oct 14 09:38:16 2004	
ENGINEER:	FILE NAME:	SHEET NUMBER:
S Heald	220_02049	1 OF 14

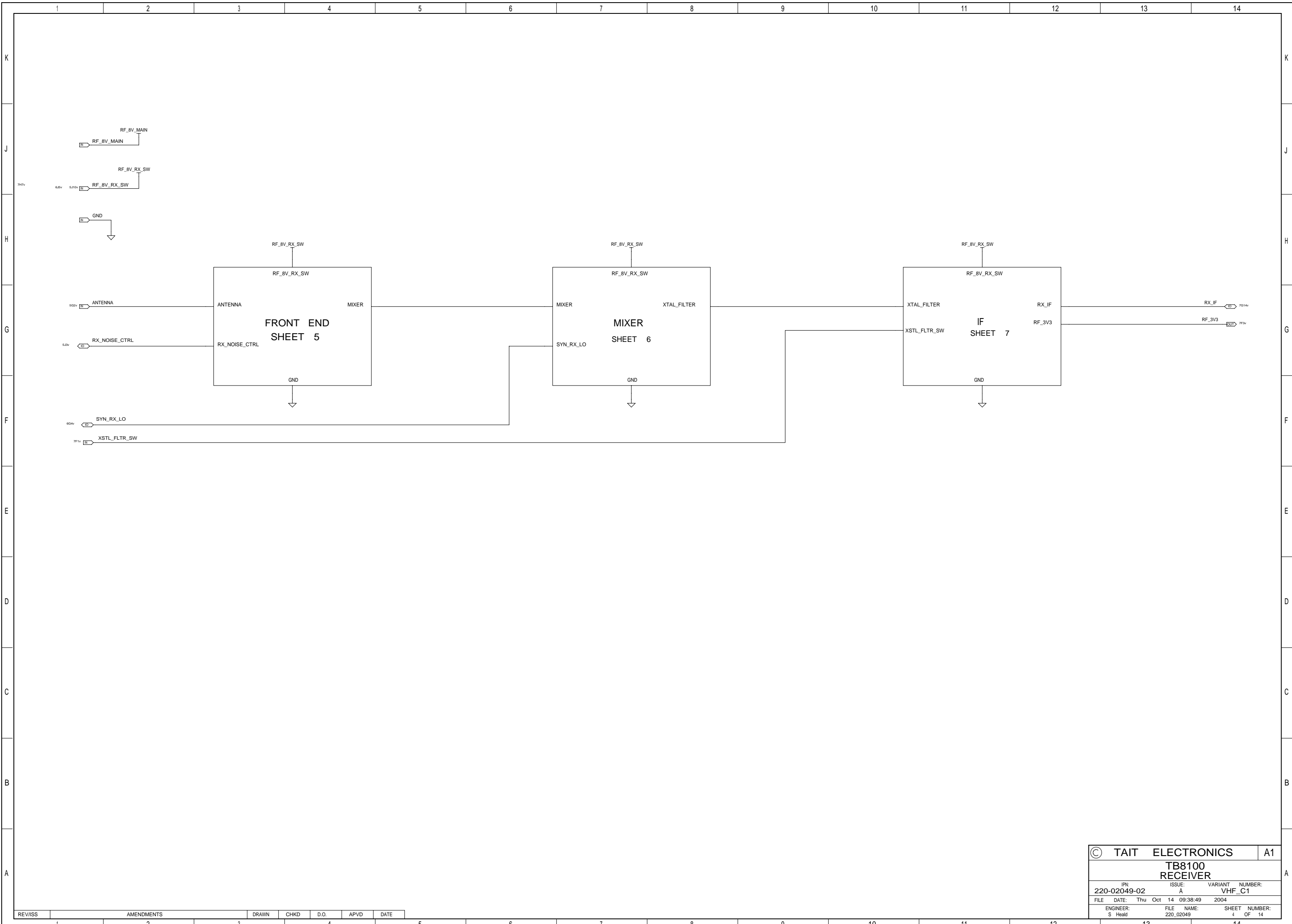


© TAIT ELECTRONICS		A1
<b>TB8100 POWER SUPPLY</b>		
IPN: 220-02049-02	ISSUE: A	VARIANT NUMBER: VHF_C1
FILE DATE: Thu Oct 14 09:38:34 2004	ENGINEER: S Heald	FILE NAME: 220_02049
REVISIONS	AMENDMENTS	DRAWN
1	2	3
CHKD	D.O.	APVD
4	5	DATE
6	7	8
9	10	11
12	13	14
SHEET NUMBER: 2 OF 14		



© TAIT ELECTRONICS		A1
<b>TB8100</b>		
<b>RF CONN</b>		
IPN:	ISSUE:	VARIANT NUMBER:
220-02049-02	A	VHF_C1
FILE DATE:	Thu Oct 14 09:38:47 2004	
ENGINEER:	FILE NAME:	SHEET NUMBER:
S Heald	220_02049	3 OF 14

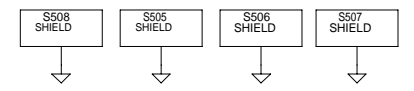
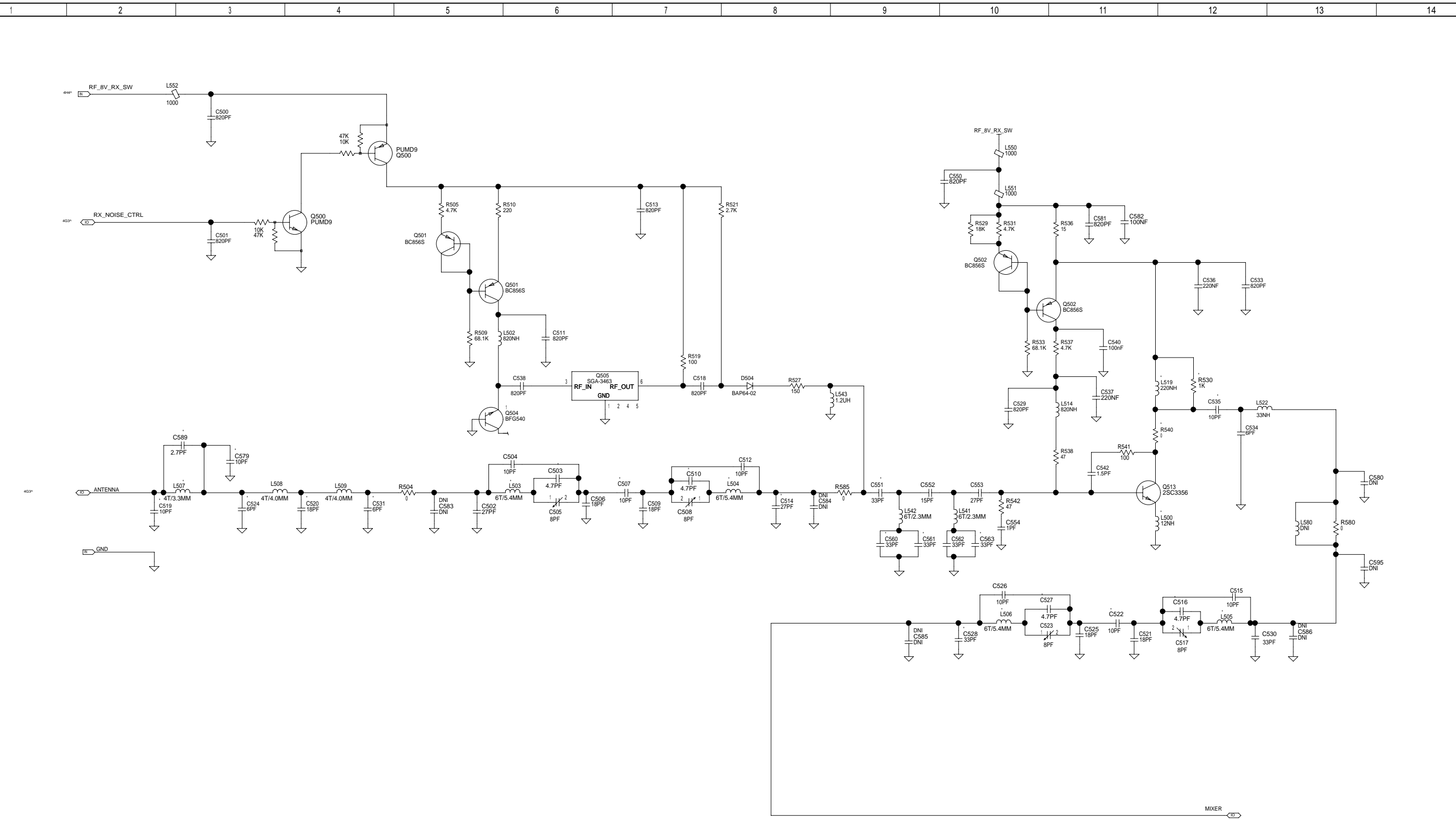
REV/ISS	AMENDMENTS	DRAWN	CHKD	D.O.	APVD	DATE
1						



© TAIT ELECTRONICS		A1
<b>TB8100 RECEIVER</b>		
IPN: 220-02049-02	ISSUE: A	VARIANT NUMBER: VHF_C1
FILE DATE: Thu Oct 14 09:38:49 2004		
ENGINEER: S Heald	FILE NAME: 220_02049	SHEET NUMBER: 4 OF 14

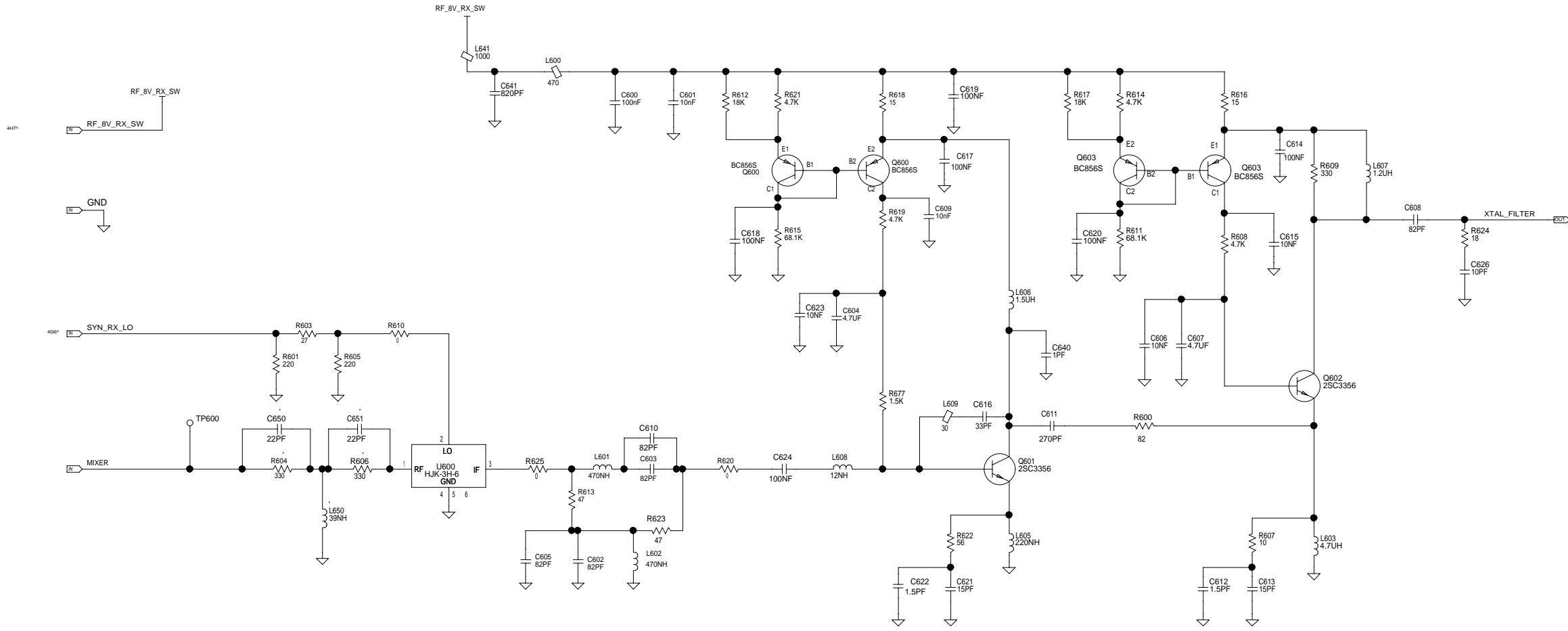
REV/ISS	AMENDMENTS	DRAWN	CHKD	D.O.	APVD	DATE
1						
2						
3						
4						
5						
6						
7						
8						
9						
10						
11						
12						
13						
14						





© TAIT ELECTRONICS		A1
<b>TB8100 FRONT END</b>		
IPN: 220-02049-02	ISSUE: A	VARIANT NUMBER: VHF_C1
FILE DATE: Thu Oct 14 09:39:17 2004	ENGINEER: S Heald	FILE NAME: 220_02049
REVISIONS	AMENDMENTS	DRAWN
CHKD	D.O.	APVD
DATE		
1	2	3
4	5	6
7	8	9
10	11	12
13	14	
SHEET NUMBER: 5 OF 14		

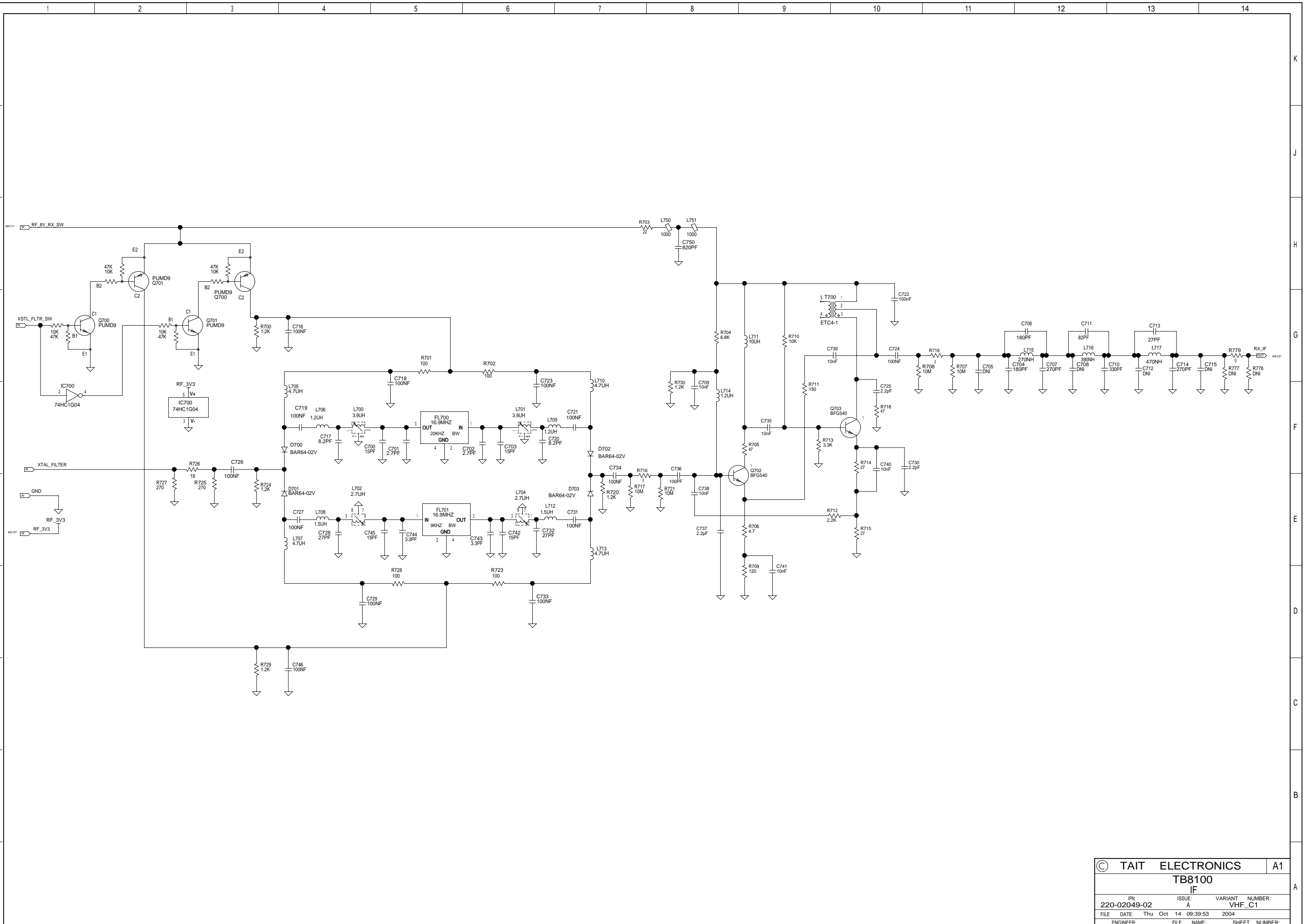
REVISIONS	AMENDMENTS	DRAWN	CHKD	D.O.	APVD	DATE
1	2	3	4	5	6	



S605  
SHIELD

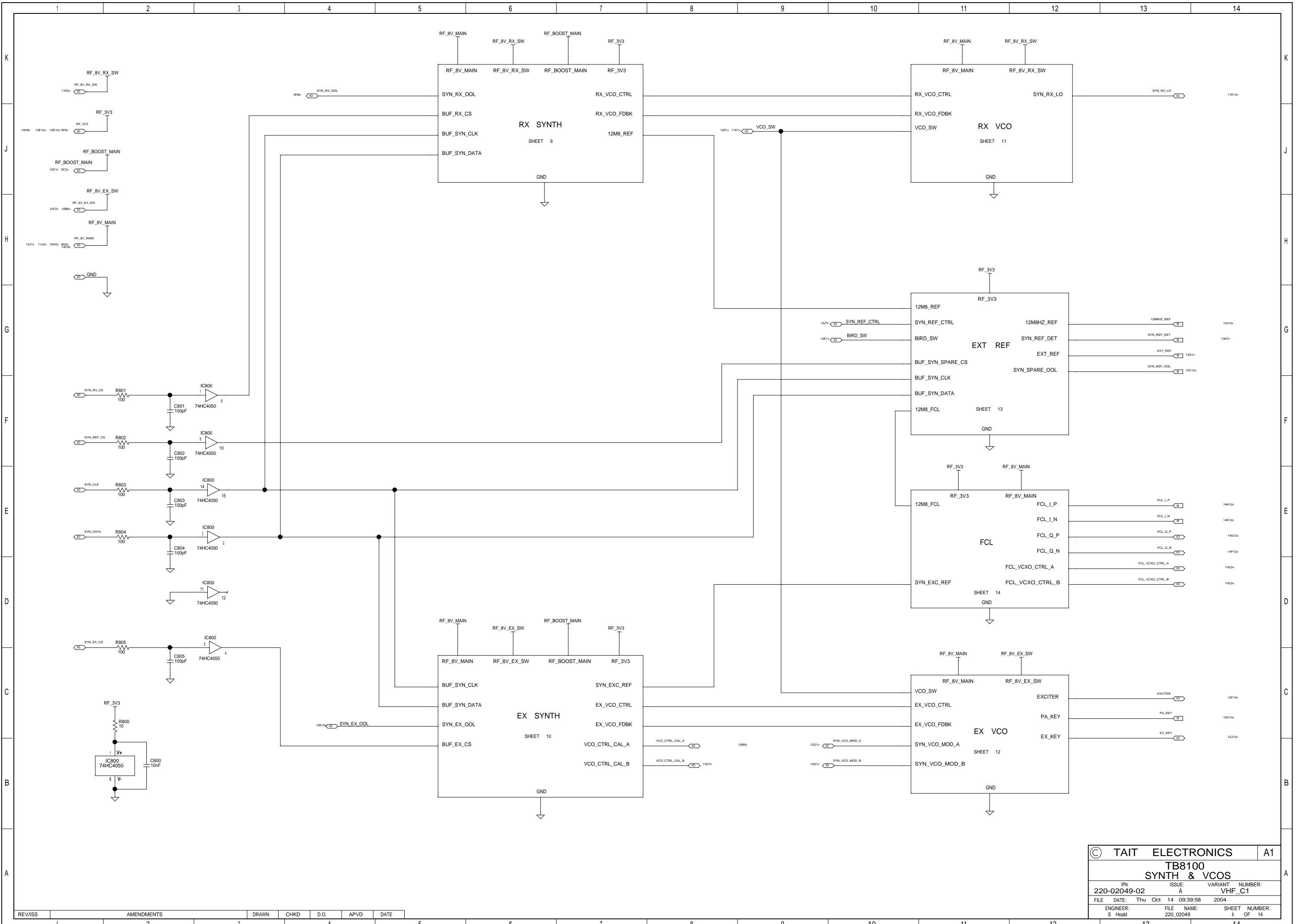
© TAIT ELECTRONICS		A1
<b>TB8100 MIXER</b>		
IPN: 220-02049-02	ISSUE: A	VARIANT NUMBER: VHF_C1
FILE DATE: Thu Oct 14 09:39:36 2004	FILE NAME: 220_02049	SHEET NUMBER: 6 OF 14
ENGINEER: S Heald		

REV/ISS	AMENDMENTS	DRAWN	CHKD	D.O.	APVD	DATE
1						
2						
3						
4						
5						



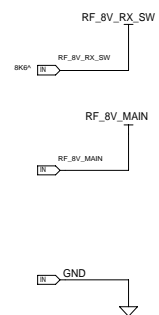
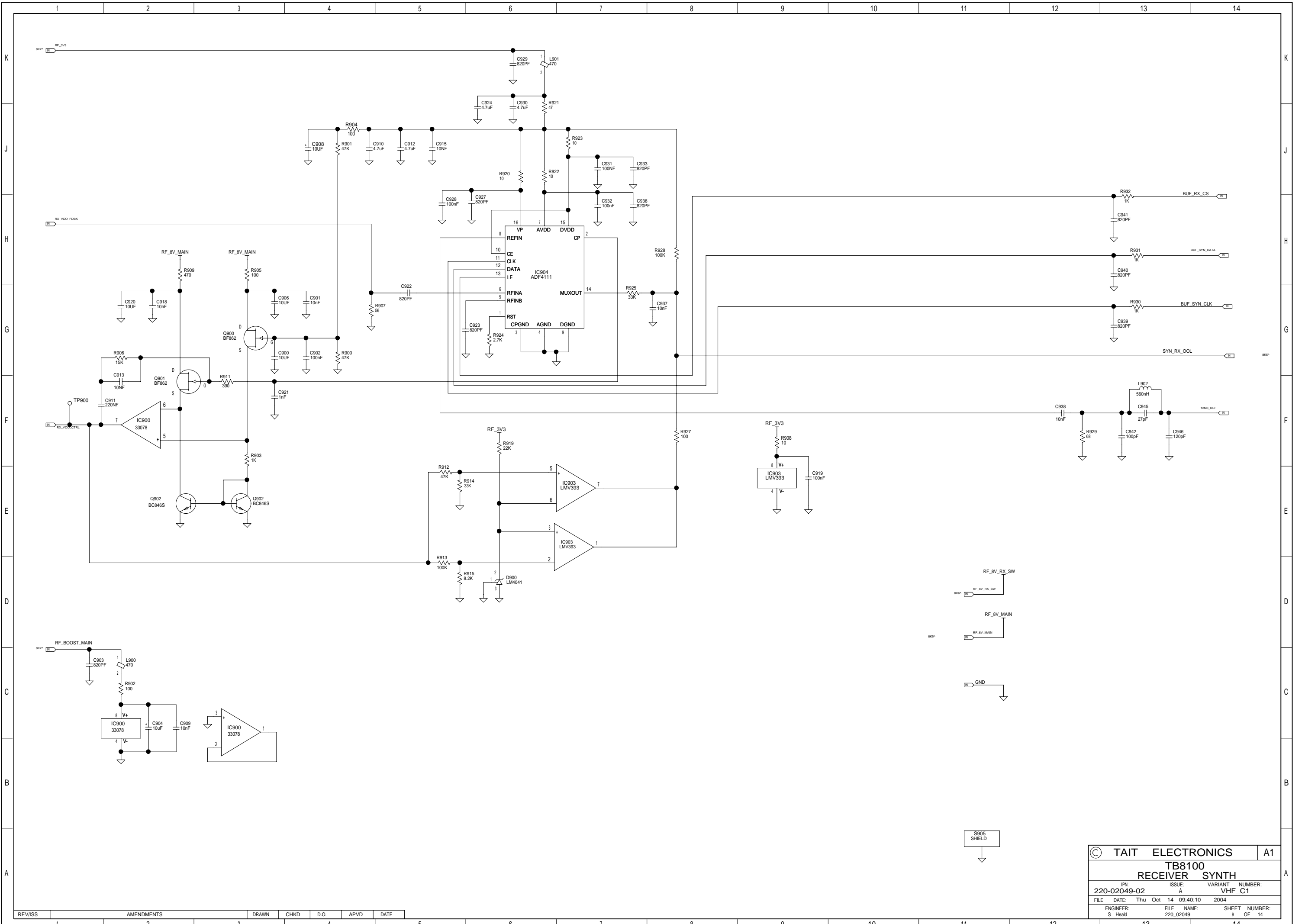
© TAIT ELECTRONICS		A1
TB8100		
IF		
IPN:	ISSUE:	VARIANT NUMBER:
220-02049-02	A	VHF_C1
FILE DATE:	Thu Oct 14 09:39:53 2004	
ENGINEER:	FILE NAME:	SHEET NUMBER:
S Heald	220_02049	7 OF 14

REV/ISS	AMENDMENTS	DRAWN	CHKD	D.O.	APVD	DATE
1						



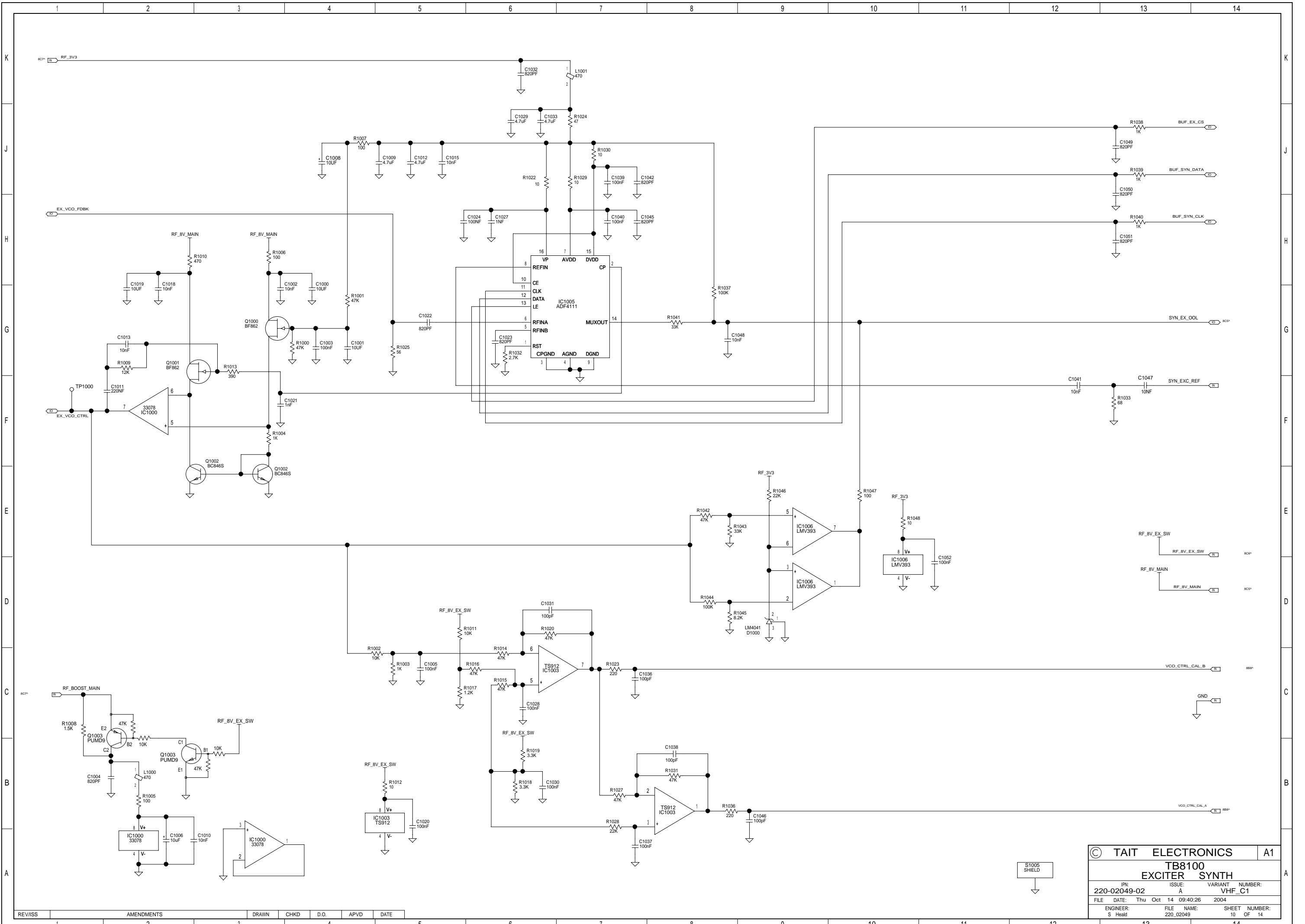
© TAIT ELECTRONICS		A1
<b>TB8100 SYNTH &amp; VCOS</b>		
IPN: 220-02049-02	ISSUE: A	VARIANT NUMBER: VHF_C1
FILE DATE: Thu Oct 14 09:39:58 2004	ENGINEER: S Heald	FILE NAME: 220_02049
REVISS	AMENDMENTS	DRAWN CHKD D.O. APVD DATE
1	2	3

REVISS	AMENDMENTS	DRAWN	CHKD	D.O.	APVD	DATE
1	2	3	4	5	6	7



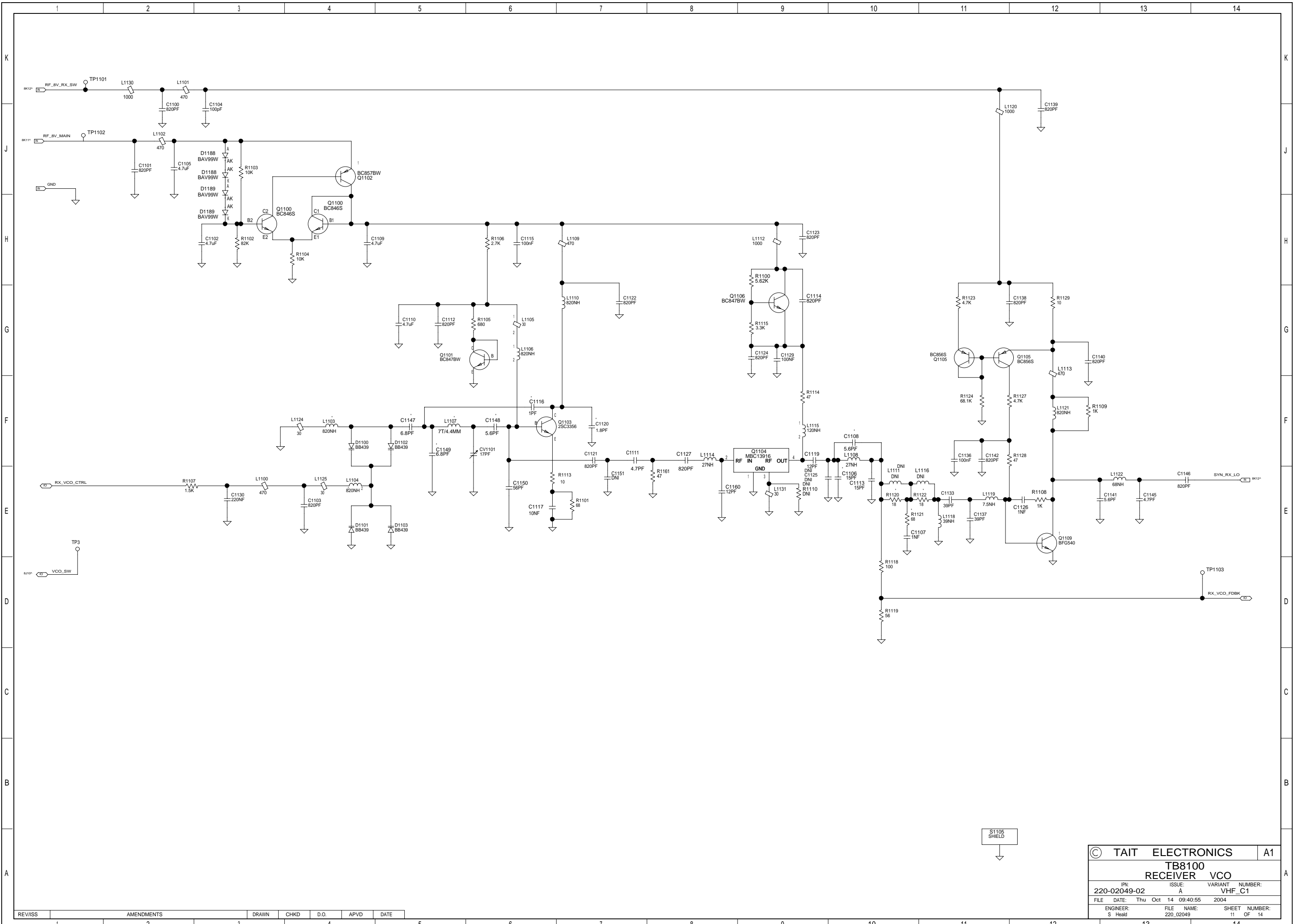
© TAIT ELECTRONICS		A1
<b>TB8100</b>		
<b>RECEIVER SYNTH</b>		
IPN: 220-02049-02	ISSUE: A	VARIANT NUMBER: VHF_C1
FILE DATE: Thu Oct 14 09:40:10 2004	FILE NAME: 220_02049	SHEET NUMBER: 9 OF 14
ENGINEER: S Heald		

REV/ISS	AMENDMENTS	DRAWN	CHKD	D.O.	APVD	DATE
1						



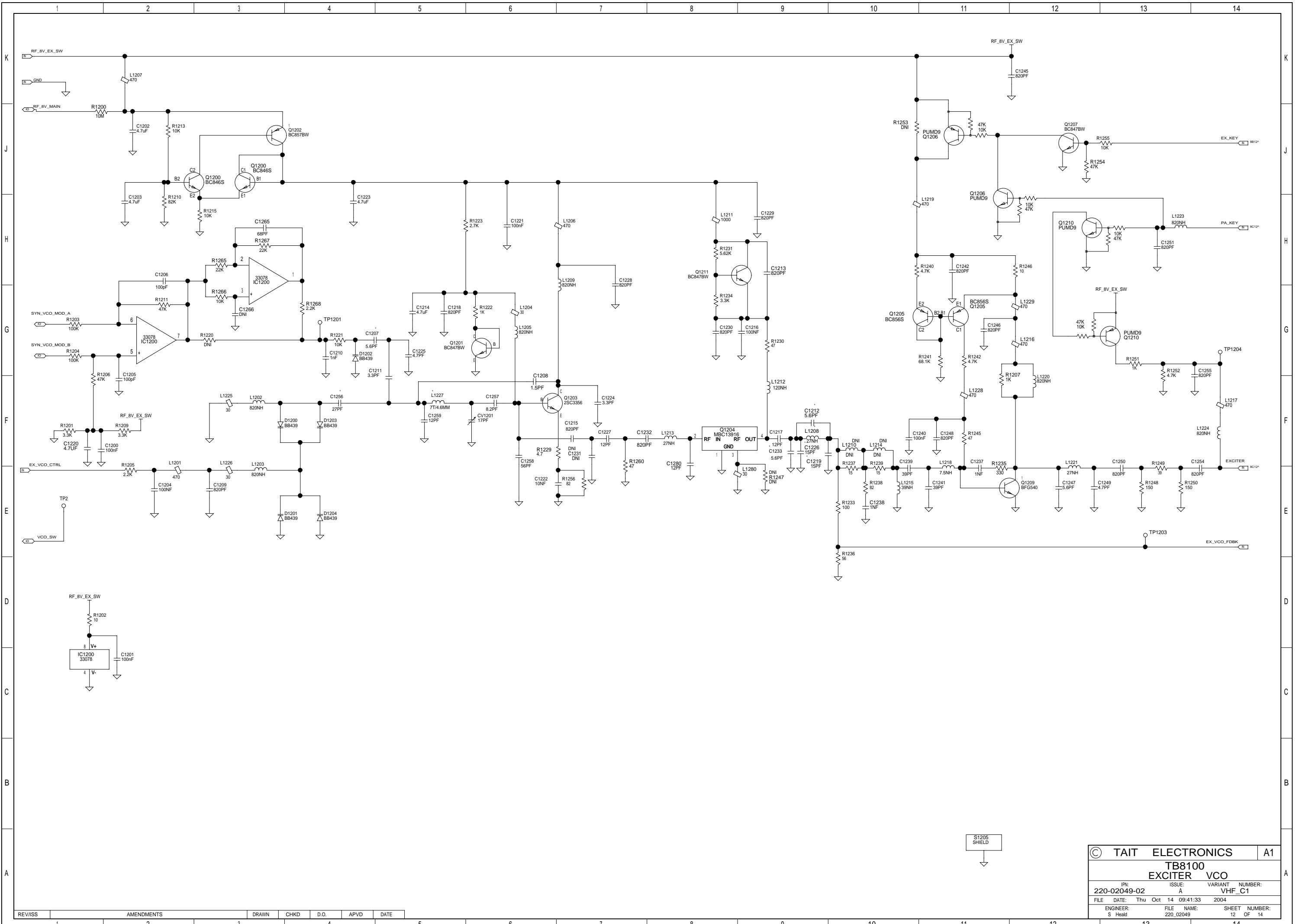
© TAIT ELECTRONICS		A1
<b>TB8100 EXCITER SYNTH</b>		
IPN: 220-02049-02	ISSUE: A	VARIANT NUMBER: VHF_C1
FILE DATE: Thu Oct 14 09:40:26 2004	ENGINEER: S Head	FILE NAME: 220_02049
		SHEET NUMBER: 10 OF 14

REV/ISS	AMENDMENTS	DRAWN	CHKD	D.O.	APVD	DATE
1						
2						
3						
4						
5						
6						
7						
8						
9						
10						
11						
12						
13						
14						



© TAIT ELECTRONICS		A1
<b>TB8100</b>		
<b>RECEIVER VCO</b>		
IPN: 220-02049-02	ISSUE: A	VARIANT NUMBER: VHF_C1
FILE DATE: Thu Oct 14 09:40:55 2004	FILE NAME: 220_02049	SHEET NUMBER: 11 OF 14
ENGINEER: S Heald		

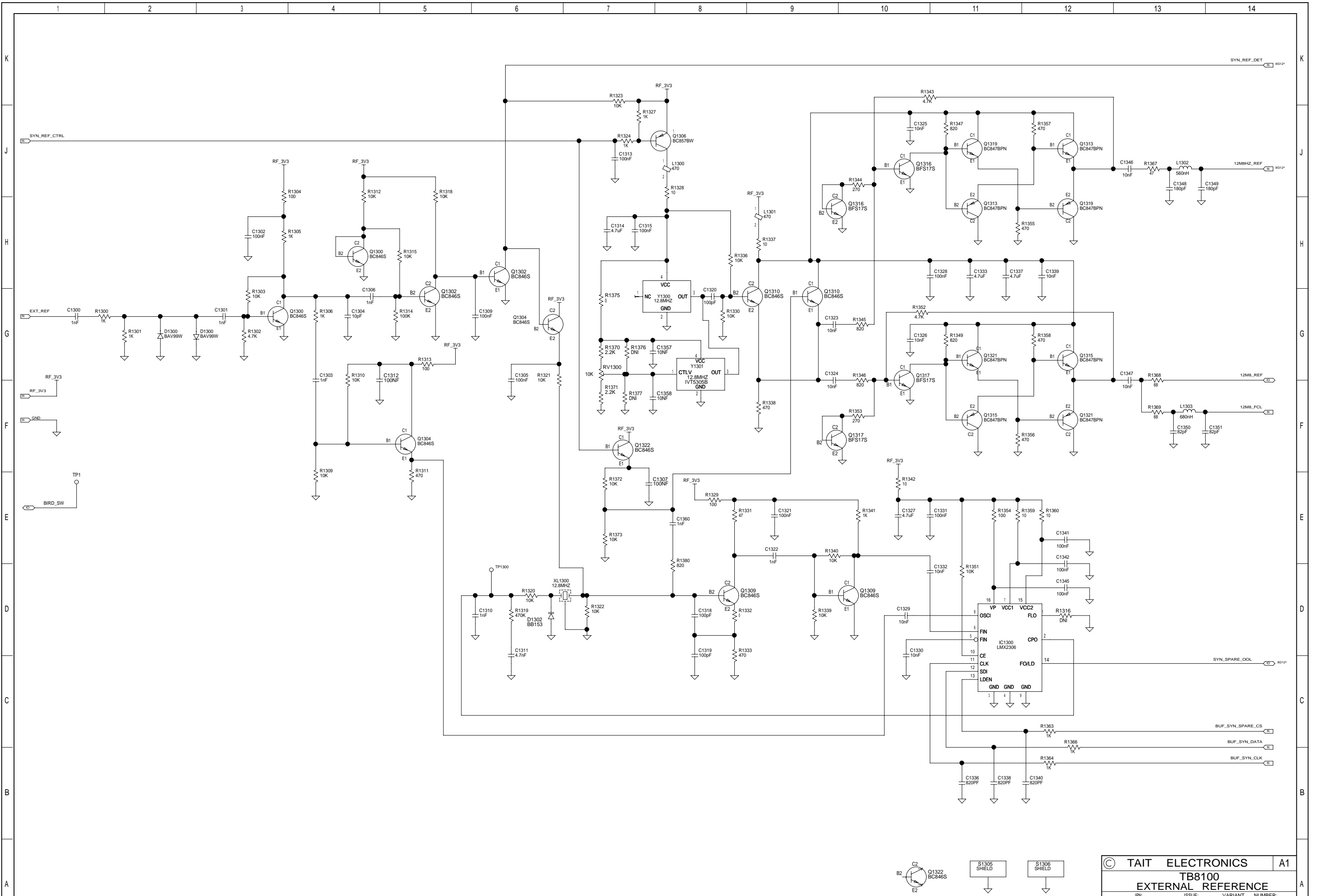
REV/ISS	AMENDMENTS	DRAWN	CHKD	D.O.	APVD	DATE
1						



© TAIT ELECTRONICS		A1
<b>TB8100 EXCITER VCO</b>		
IPN: 220-02049-02	ISSUE: A	VARIANT NUMBER: VHF_C1
FILE DATE: Thu Oct 14 09:41:33 2004	ENGINEER: S Heald	FILE NAME: 220_02049
SHEET NUMBER: 12 OF 14		

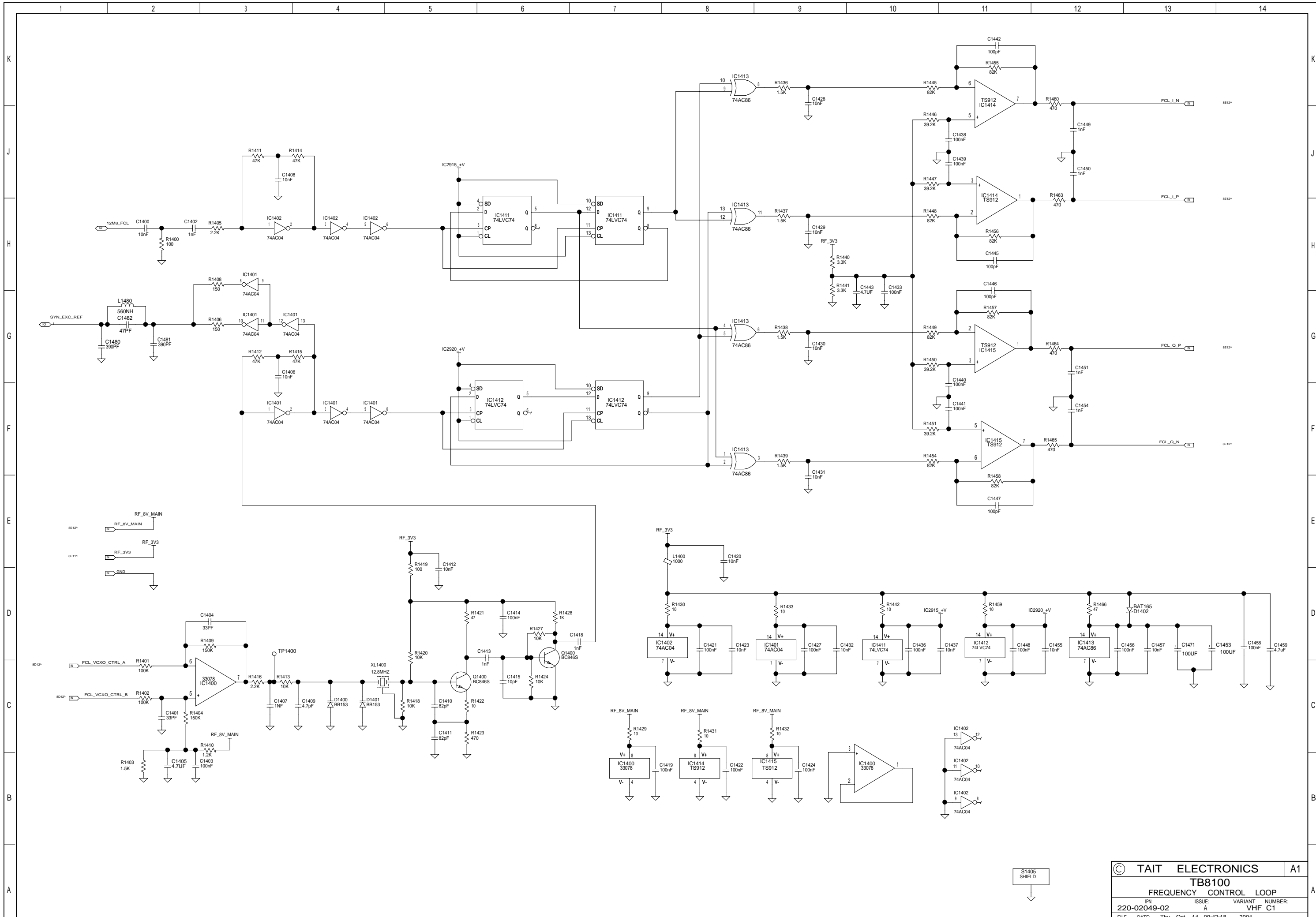
REV/ISS	AMENDMENTS	DRAWN	CHKD	D.O.	APVD	DATE
1						
2						
3						
4						
5						
6						
7						
8						
9						
10						
11						
12						
13						
14						





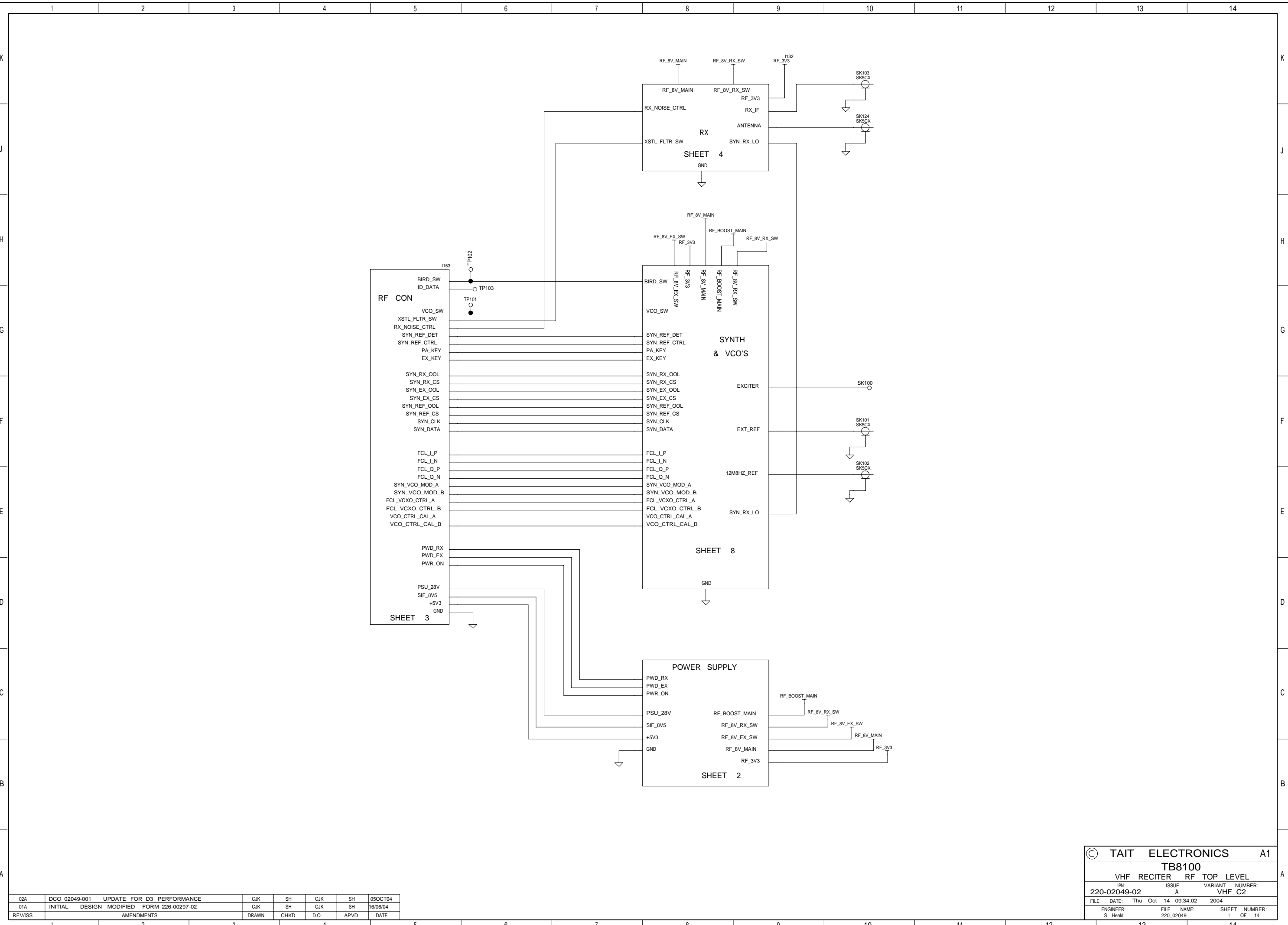
REV/ISS	AMENDMENTS	DRAWN	CHKD	D.O.	APVD	DATE
1						

© TAIT ELECTRONICS		A1
<b>TB8100</b>		
<b>EXTERNAL REFERENCE</b>		
IPN: 220-02049-02	ISSUE: A	VARIANT NUMBER: VHF_C1
FILE DATE: Thu Oct 14 09:41:56 2004	FILE NAME: 220_02049	SHEET NUMBER: 13 OF 14
ENGINEER: S Heald		



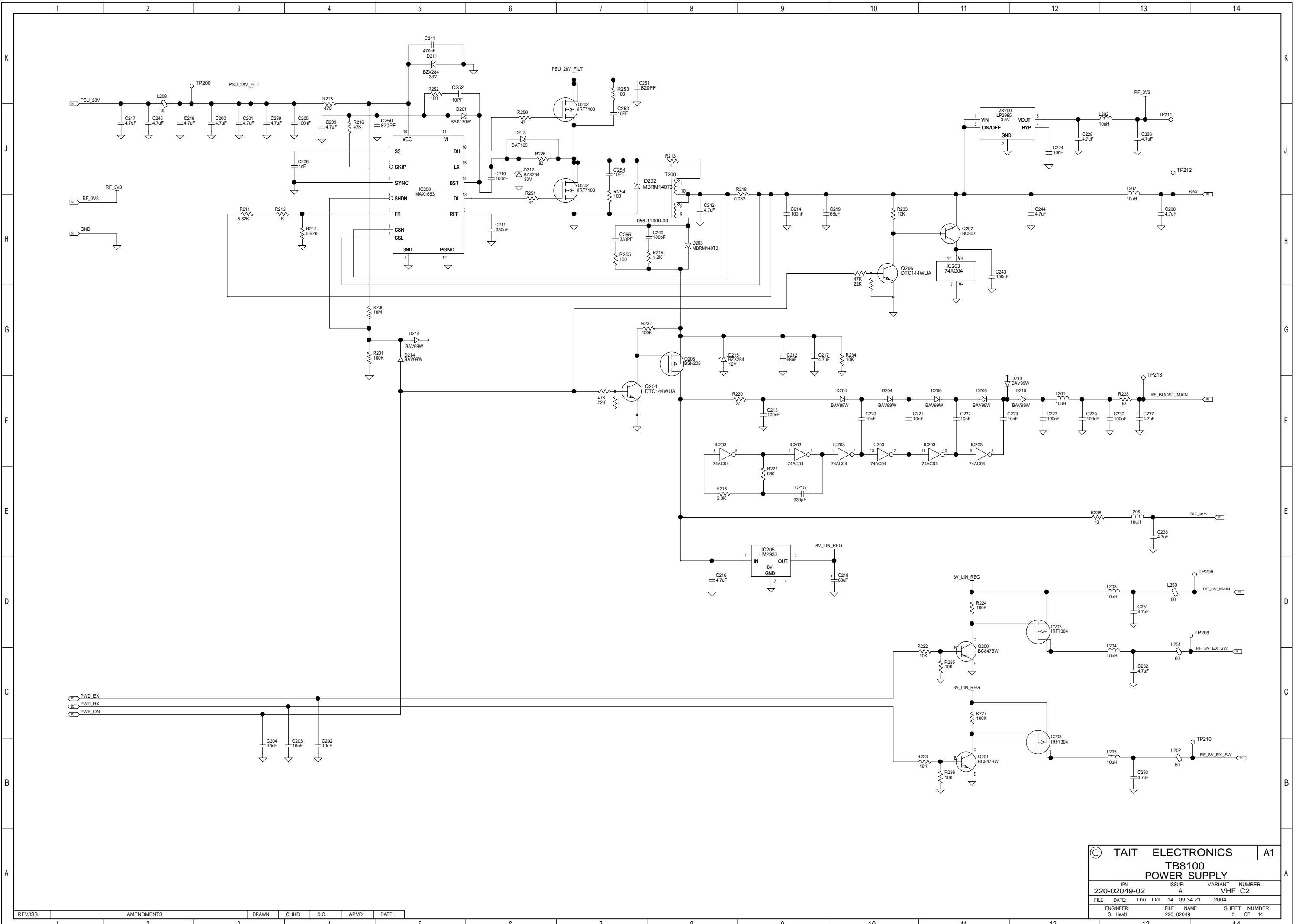
© TAIT ELECTRONICS		A1
<b>TB8100</b>		
FREQUENCY CONTROL LOOP		
IPN:	ISSUE:	VARIANT NUMBER:
220-02049-02	A	VHF_C1
FILE DATE:	Thu Oct 14 09:42:18	2004
ENGINEER:	FILE NAME:	SHEET NUMBER:
S Heald	220_02049	14 OF 14

REV/ISS	AMENDMENTS	DRAWN	CHKD	D.O.	APVD	DATE
1						
2						
3						
4						
5						
6						
7						
8						
9						
10						
11						
12						
13						
14						



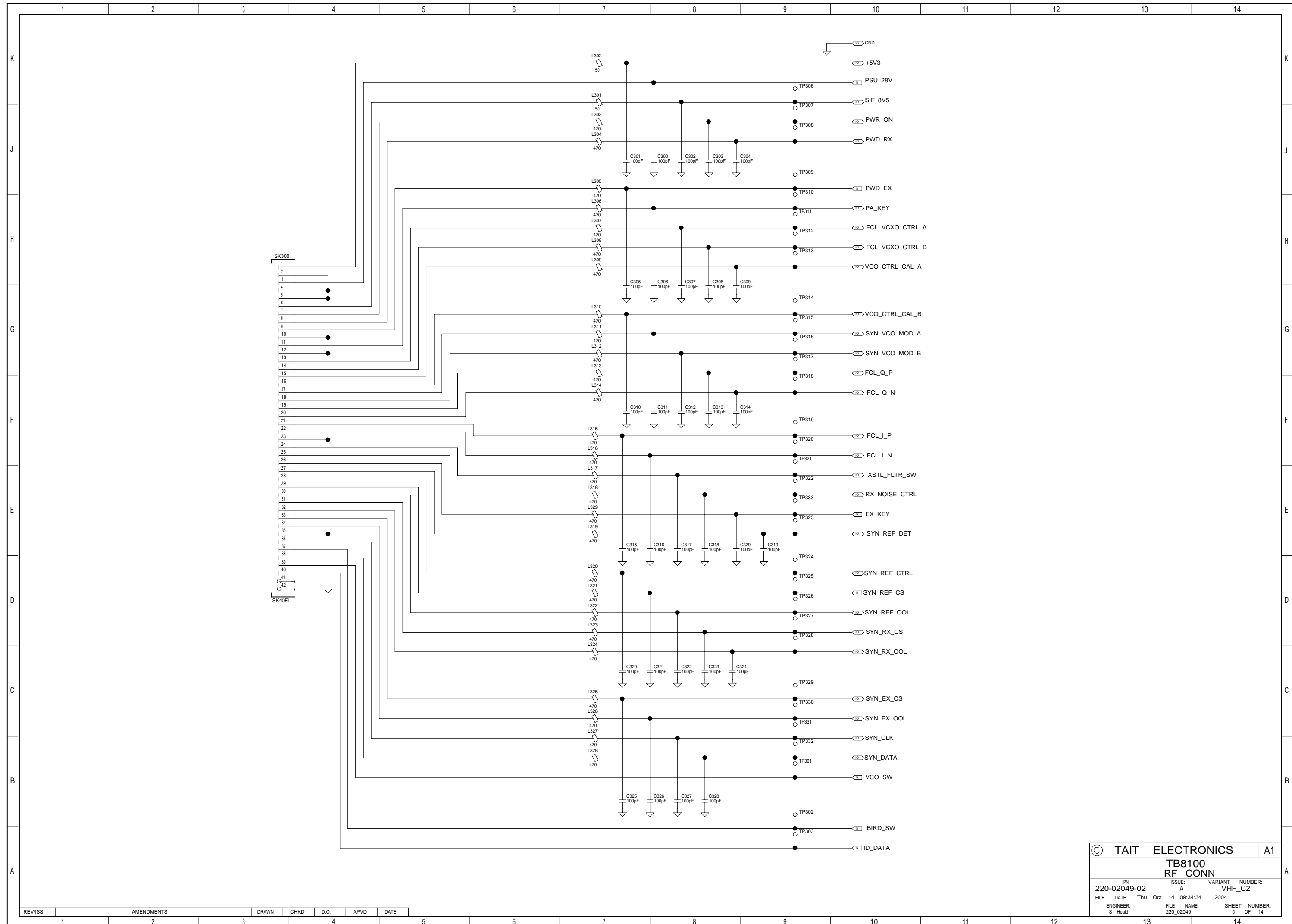
02A	DCO 02049-001	UPDATE FOR D3 PERFORMANCE	CJK	SH	CJK	SH	05OCT04
01A	INITIAL	DESIGN	MODIFIED	FORM 226-00297-02	CJK	SH	16/06/04
REVISS	AMENDMENTS		DRAWN	CHKD	D.O.	APVD	DATE

© TAIT ELECTRONICS		A1
<b>TB8100</b>		
VHF RECITER RF TOP LEVEL		
IPN:	ISSUE:	VARIANT NUMBER:
220-02049-02	A	VHF_C2
FILE DATE:	Thu Oct 14 09:34:02 2004	
ENGINEER:	FILE NAME:	SHEET NUMBER:
S Heald	220_02049	1 OF 14



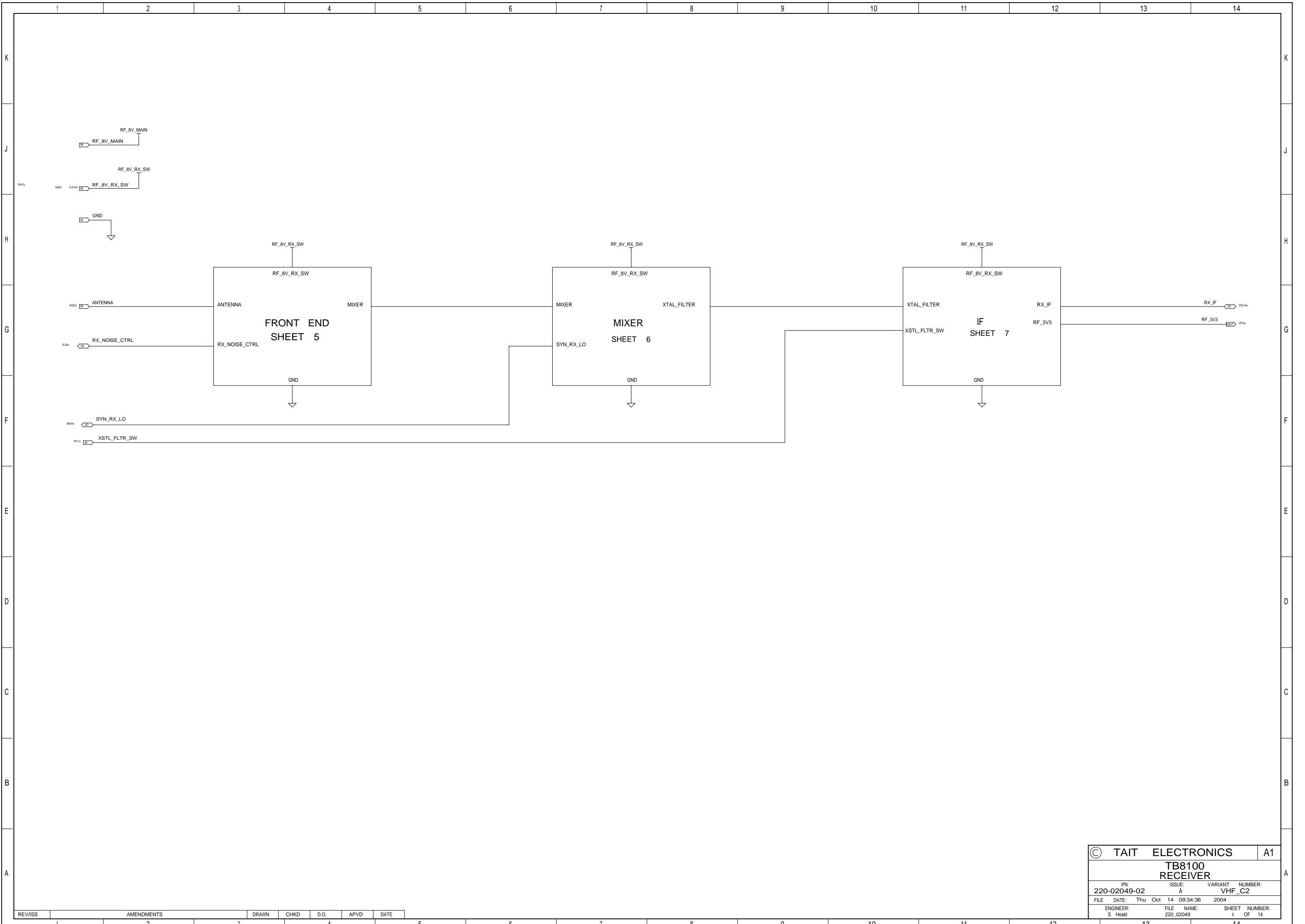
© TAIT ELECTRONICS		A1
<b>TB8100 POWER SUPPLY</b>		
IPN: 220-02049-02	ISSUE: A	VARIANT: VHF_C2
FILE DATE: Thu Oct 14 09:34:21 2004	ENGINEER: S Heald	FILE NAME: 220_02049
REVISIONS	AMENDMENTS	DRAWN
CHKD	D.O.	APVD
DATE		
1	2	3
4	5	6
7	8	9
10	11	12
13	14	

REVISIONS	AMENDMENTS	DRAWN	CHKD	D.O.	APVD	DATE
1	2	3	4	5	6	7



© TAIT ELECTRONICS		A1
<b>TB8100</b>		
<b>RF CONN</b>		
IPN:	ISSUE:	VARIANT NUMBER:
220-02049-02	A	VHF_C2
FILE DATE:	Thu Oct 14 09:34:34 2004	
ENGINEER:	FILE NAME:	SHEET NUMBER:
S Heald	220_02049	3 OF 14

REV/ISS	AMENDMENTS	DRAWN	CHKD	D.O.	APVD	DATE
1						

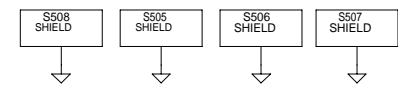
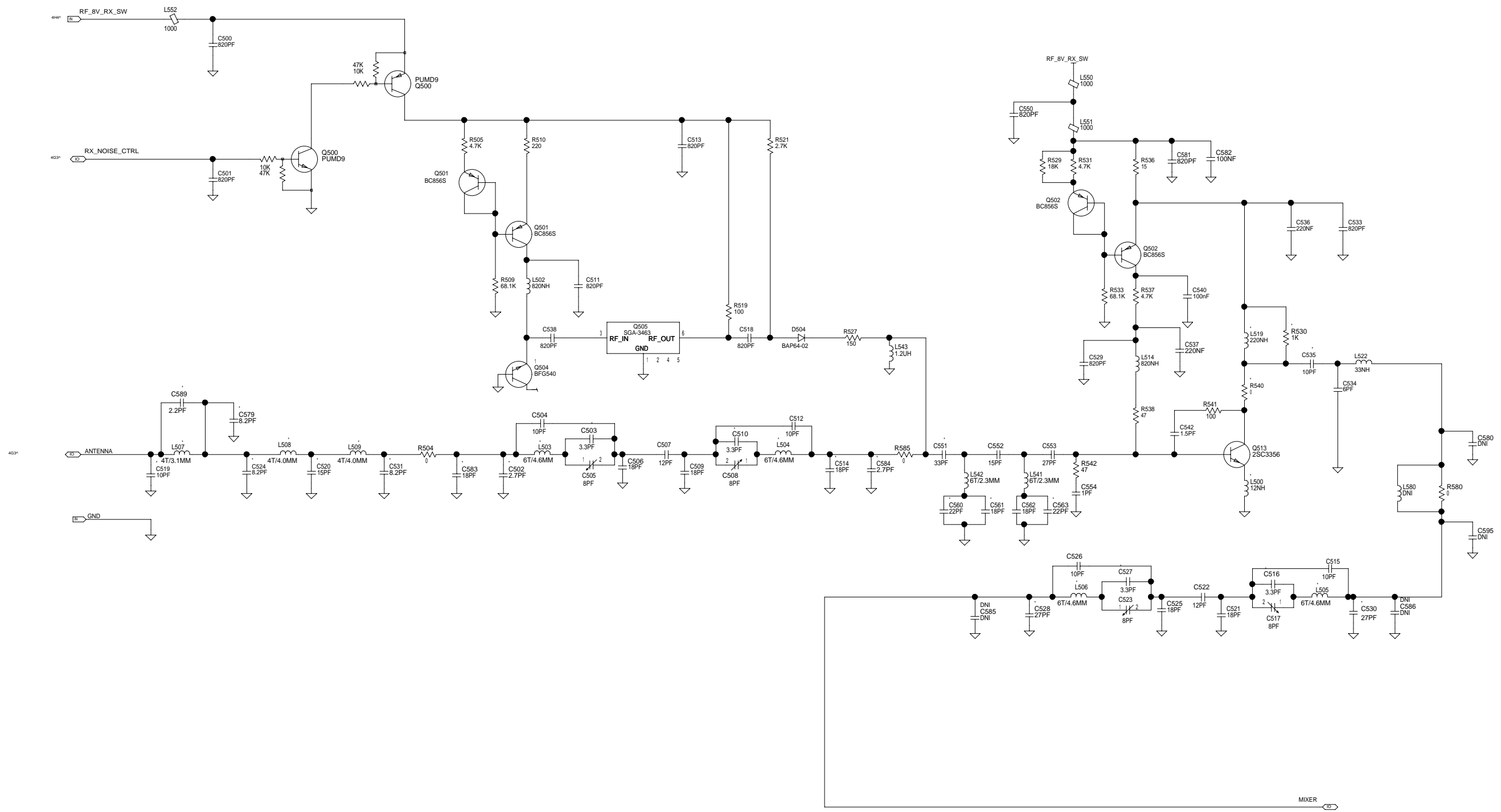


© TAIT ELECTRONICS		A1
<b>TB8100 RECEIVER</b>		
IPN: 220-02049-02	ISSUE: A	VARIANT NUMBER: VHF_C2
FILE DATE: Thu Oct 14 09:34:36 2004		
ENGINEER: S Heald	FILE NAME: 220_02049	SHEET NUMBER: 4 OF 14

REV/ISS	AMENDMENTS	DRAWN	CHKD	D.O.	APVD	DATE
1						
2						
3						
4						
5						
6						
7						
8						
9						
10						
11						
12						
13						
14						

1 2 3 4 5 6 7 8 9 10 11 12 13 14

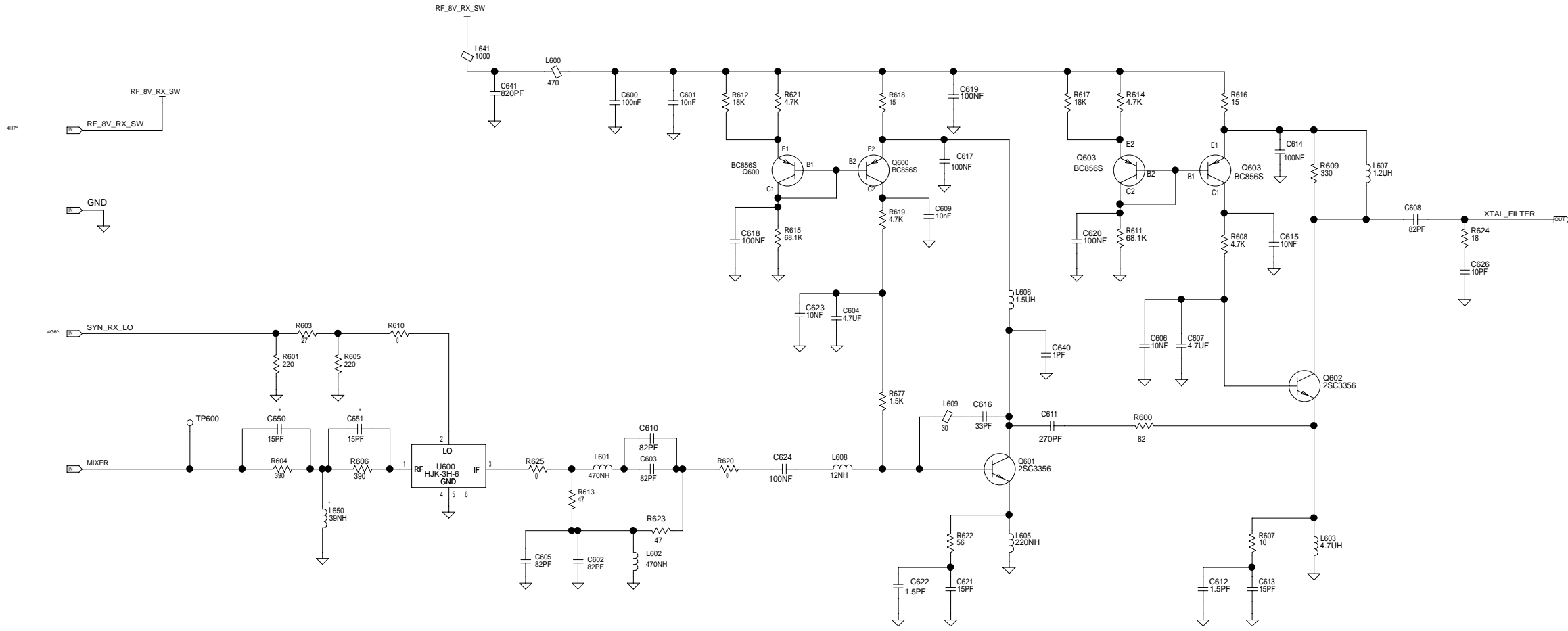
K J H G F E D C B A



© TAIT ELECTRONICS		A1
<b>TB8100 FRONT END</b>		
IPN: 220-02049-02	ISSUE: A	VARIANT NUMBER: VHF_C2
FILE DATE: Thu Oct 14 09:35:04 2004	ENGINEER: S Heald	FILE NAME: 220_02049
REVISIONS	AMENDMENTS	DRAWN
CHKD	D.O.	APVD
DATE		
1	2	3
4	5	6
7	8	9
10	11	12
13	14	

REVISIONS	AMENDMENTS	DRAWN	CHKD	D.O.	APVD	DATE
1	2	3	4	5	6	7

1 2 3 4 5 6 7 8 9 10 11 12 13 14

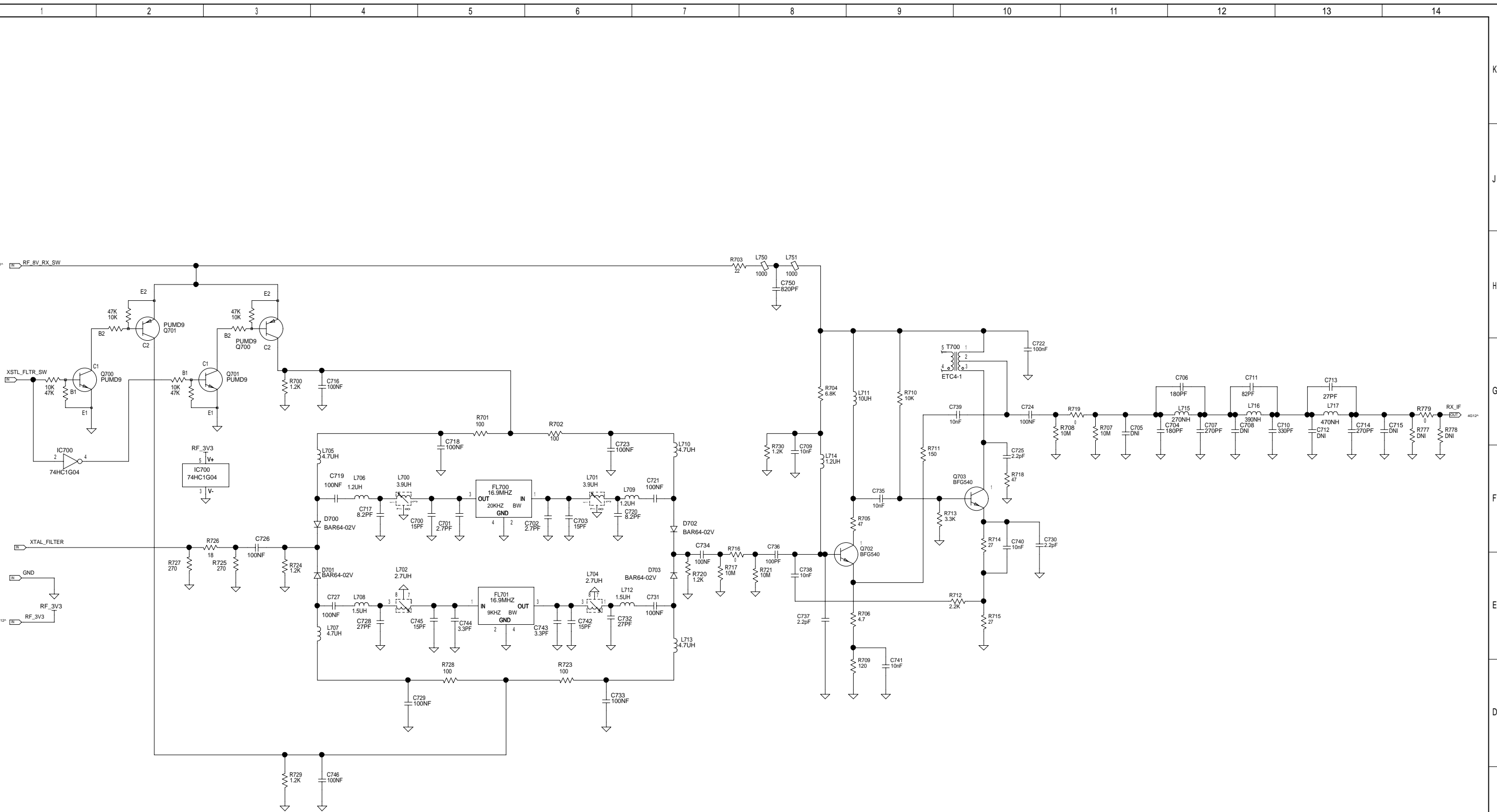


S605  
SHIELD

© TAIT ELECTRONICS		A1
<b>TB8100 MIXER</b>		
IPN: 220-02049-02	ISSUE: A	VARIANT NUMBER: VHF_C2
FILE DATE: Thu Oct 14 09:35:24 2004	FILE NAME: 220_02049	SHEET NUMBER: 6 OF 14
ENGINEER: S Heald		

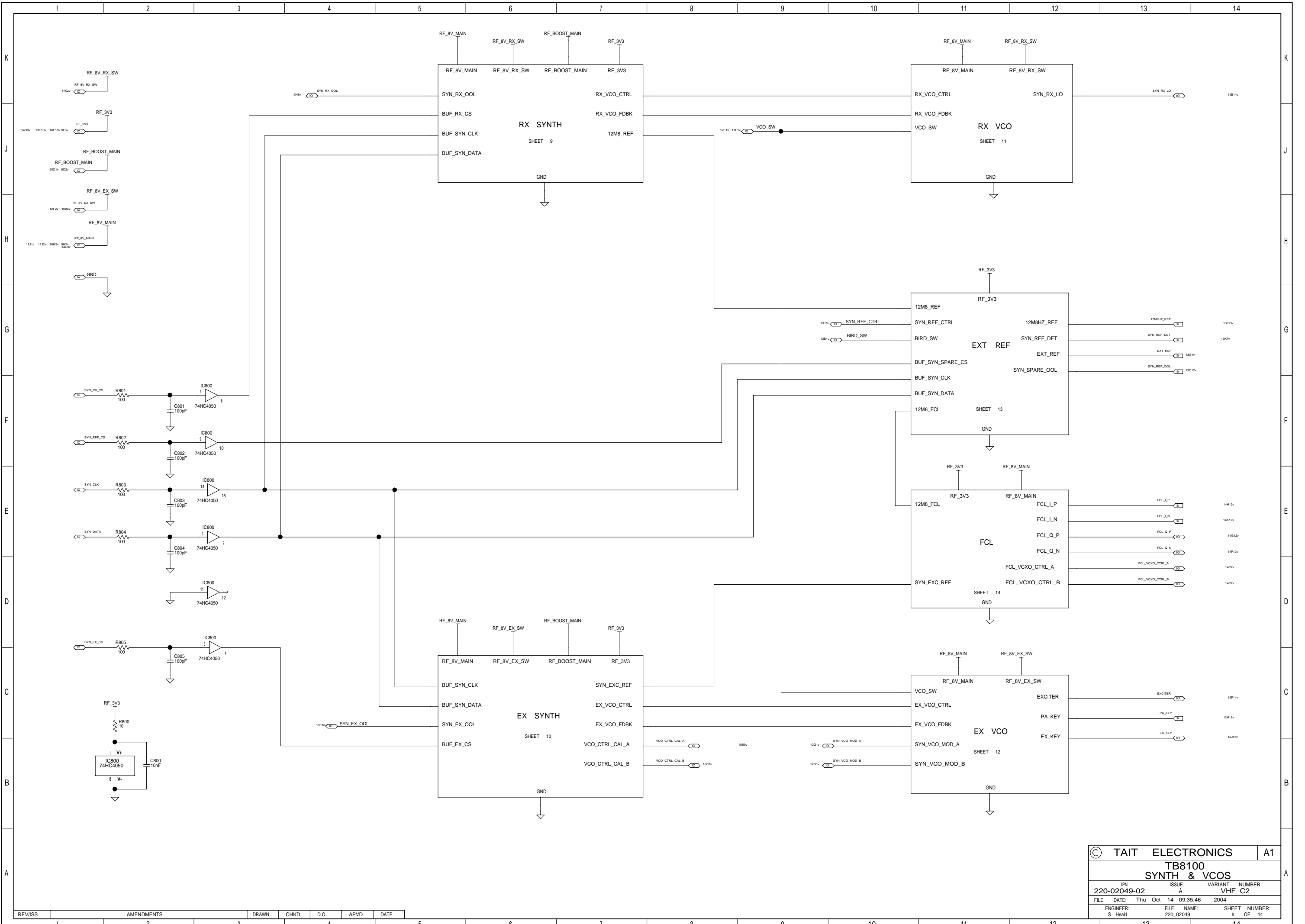
REV/ISS	AMENDMENTS	DRAWN	CHKD	D.O.	APVD	DATE
1						
2						
3						
4						
5						



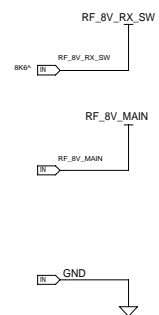
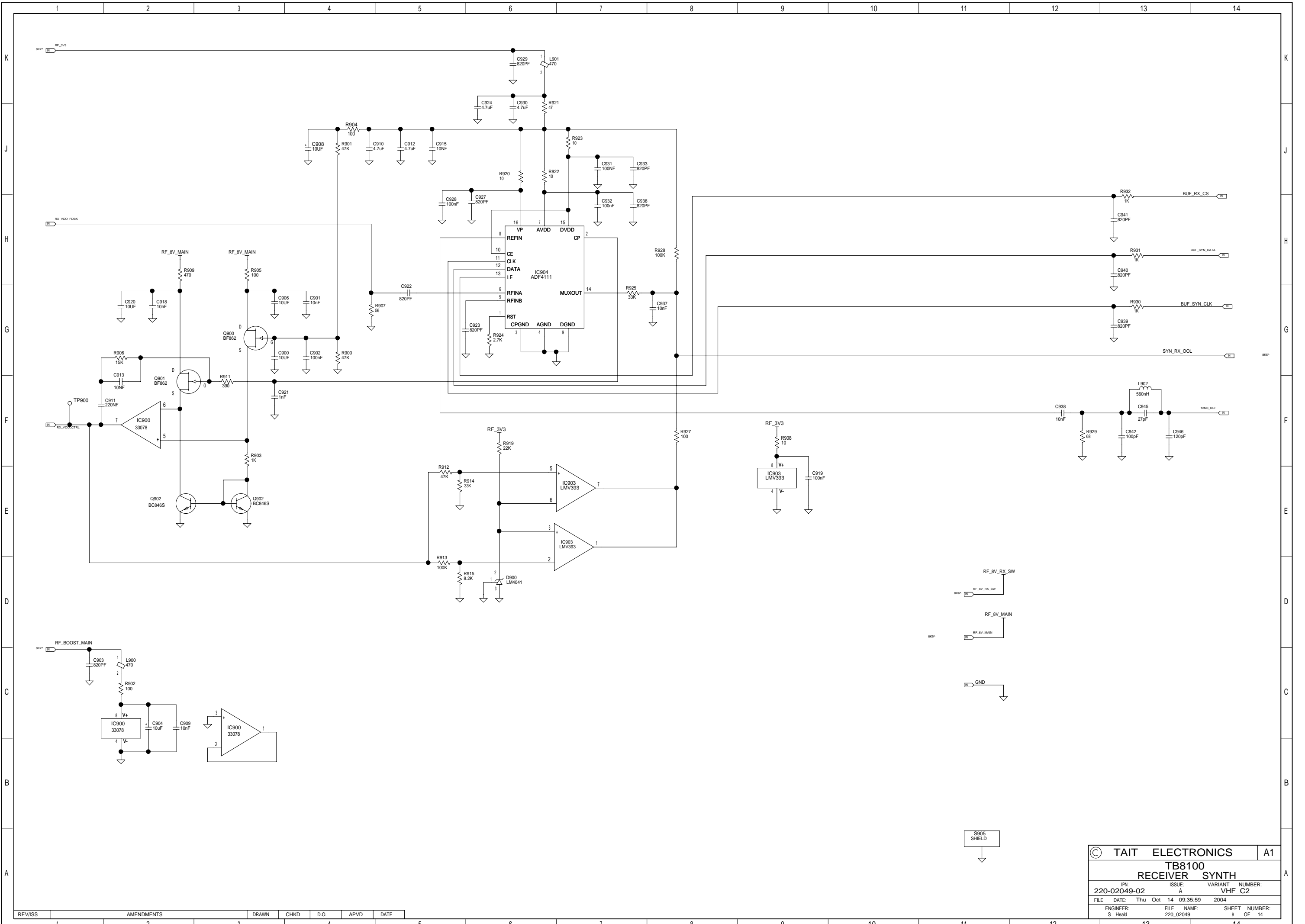


© TAIT ELECTRONICS		A1
TB8100		
IF		
IPN:	ISSUE:	VARIANT NUMBER:
220-02049-02	A	VHF_C2
FILE DATE:	Thu Oct 14 09:35:41 2004	
ENGINEER:	FILE NAME:	SHEET NUMBER:
S Heald	220_02049	7 OF 14

REV/ISS	AMENDMENTS	DRAWN	CHKD	D.O.	APVD	DATE
1						

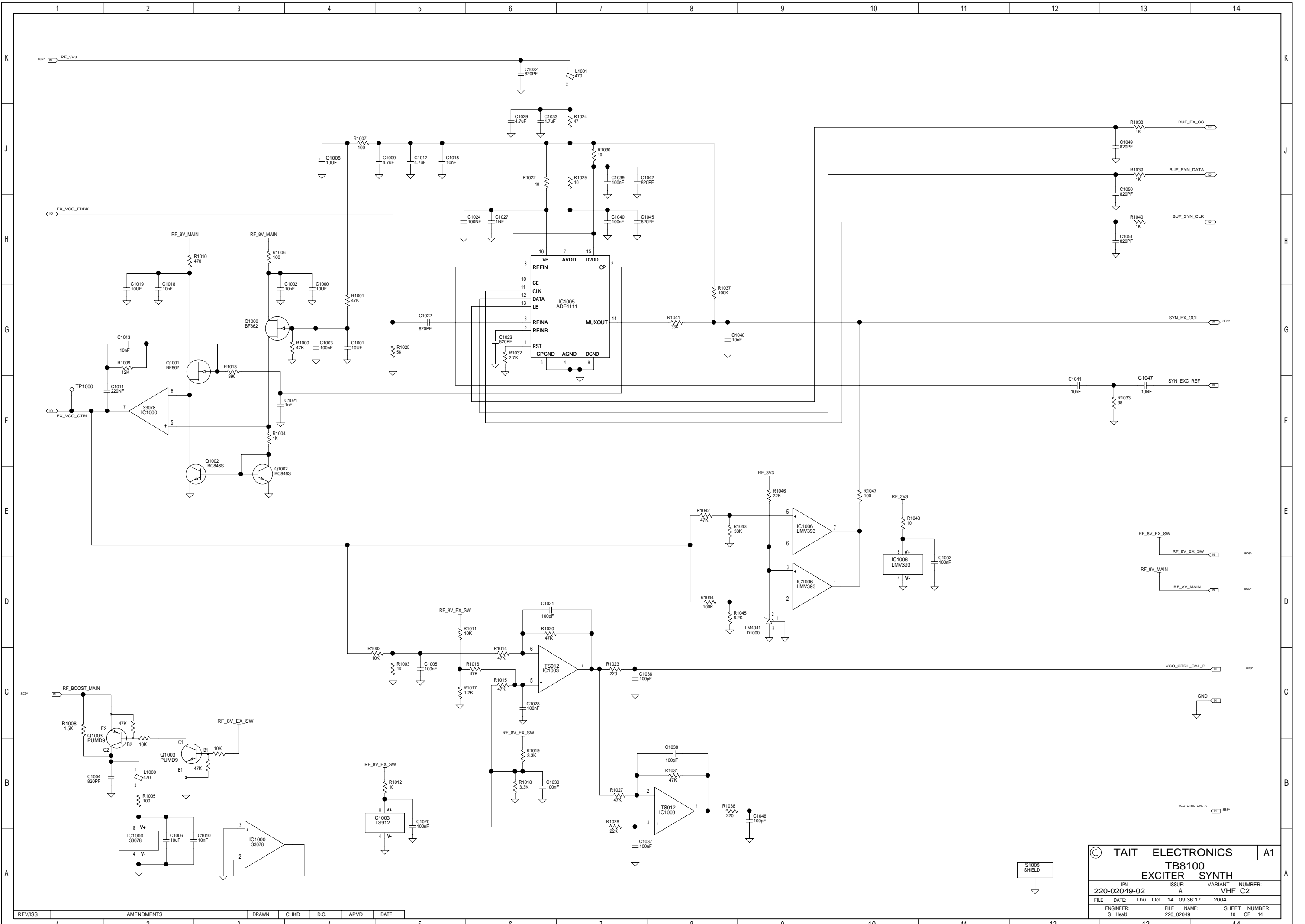


© TAIT ELECTRONICS		A1
<b>TB8100 SYNTH &amp; VCOS</b>		
IPN: 220-02049-02	ISSUE: A	VARIANT NUMBER: VHF_C2
FILE DATE: Thu Oct 14 09:35:46 2004	ENGINEER: S Heald	FILE NAME: 220_02049
REVISIONS	AMENDMENTS	DRAWN
CHKD	D.O.	APVD
DATE		
1	2	3
4	5	6
7	8	9
10	11	12
13	14	



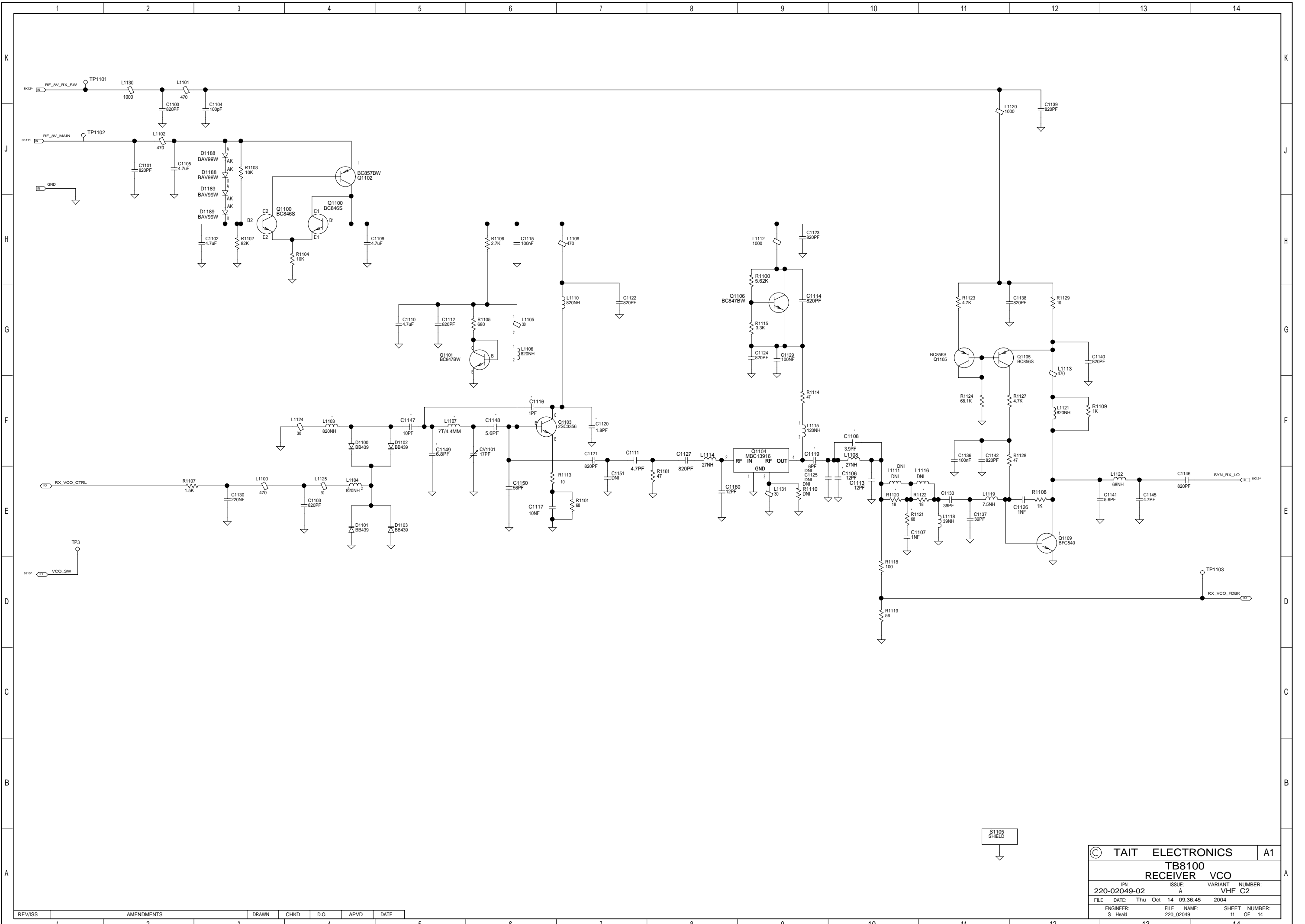
© TAIT ELECTRONICS		A1
<b>TB8100</b>		
<b>RECEIVER SYNTH</b>		
IPN: 220-02049-02	ISSUE: A	VARIANT NUMBER: VHF_C2
FILE DATE: Thu Oct 14 09:35:59 2004	FILE NAME: 220_02049	SHEET NUMBER: 9 OF 14
ENGINEER: S Heald		

REV/ISS	AMENDMENTS	DRAWN	CHKD	D.O.	APVD	DATE
1						



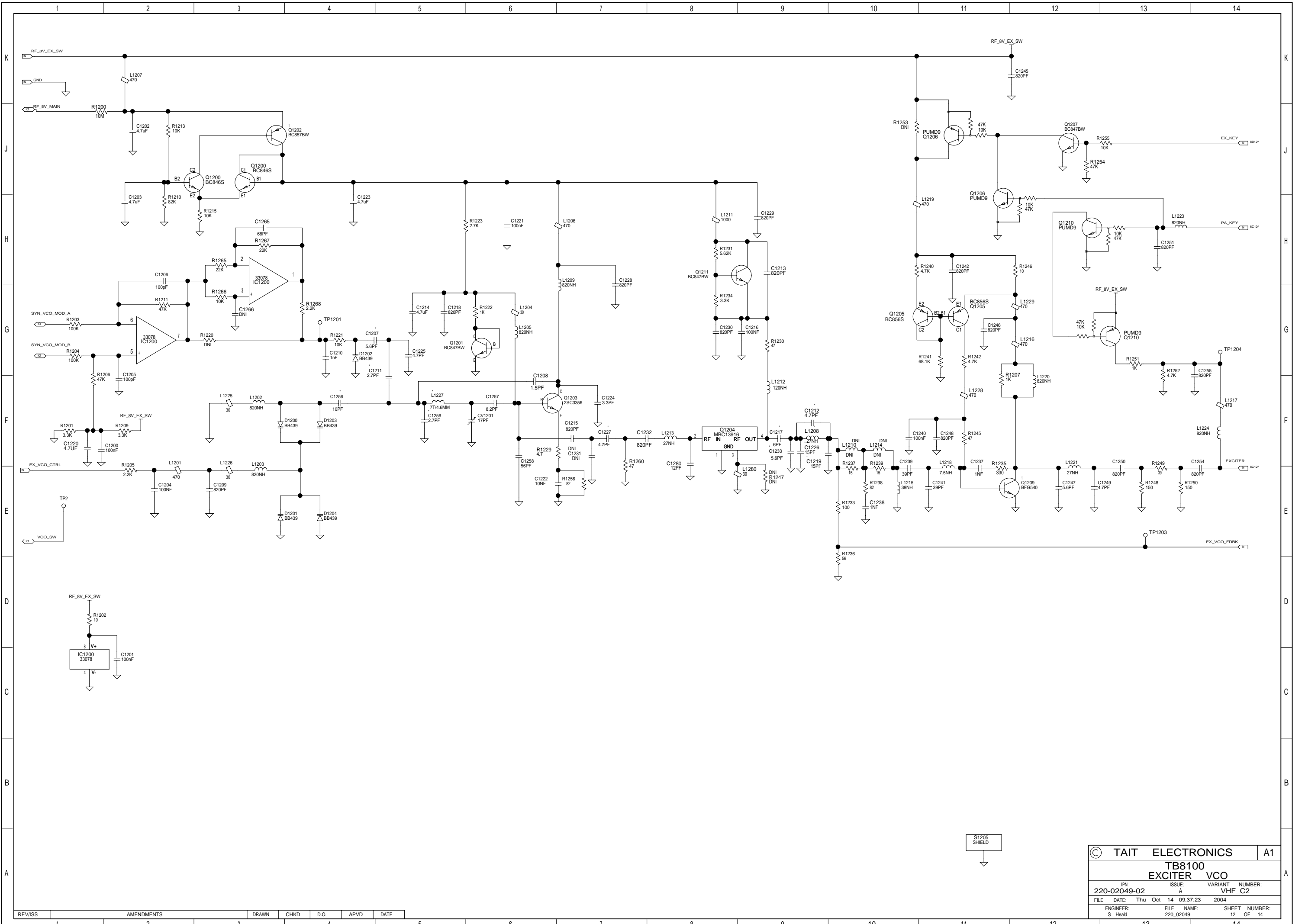
© TAIT ELECTRONICS		A1
<b>TB8100 EXCITER SYNTH</b>		
IPN: 220-02049-02	ISSUE: A	VARIANT NUMBER: VHF_C2
FILE DATE: Thu Oct 14 09:36:17 2004	ENGINEER: S Head	FILE NAME: 220_02049
		SHEET NUMBER: 10 OF 14

REV/ISS	AMENDMENTS	DRAWN	CHKD	D.O.	APVD	DATE
1						
2						
3						
4						
5						
6						
7						
8						
9						
10						
11						
12						
13						
14						



© TAIT ELECTRONICS		A1
<b>TB8100</b>		
<b>RECEIVER VCO</b>		
IPN: 220-02049-02	ISSUE: A	VARIANT NUMBER: VHF_C2
FILE DATE: Thu Oct 14 09:36:45 2004	FILE NAME: 220_02049	SHEET NUMBER: 11 OF 14
ENGINEER: S Heald		

REV/ISS	AMENDMENTS	DRAWN	CHKD	D.O.	APVD	DATE
1						

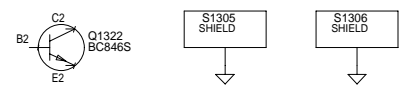
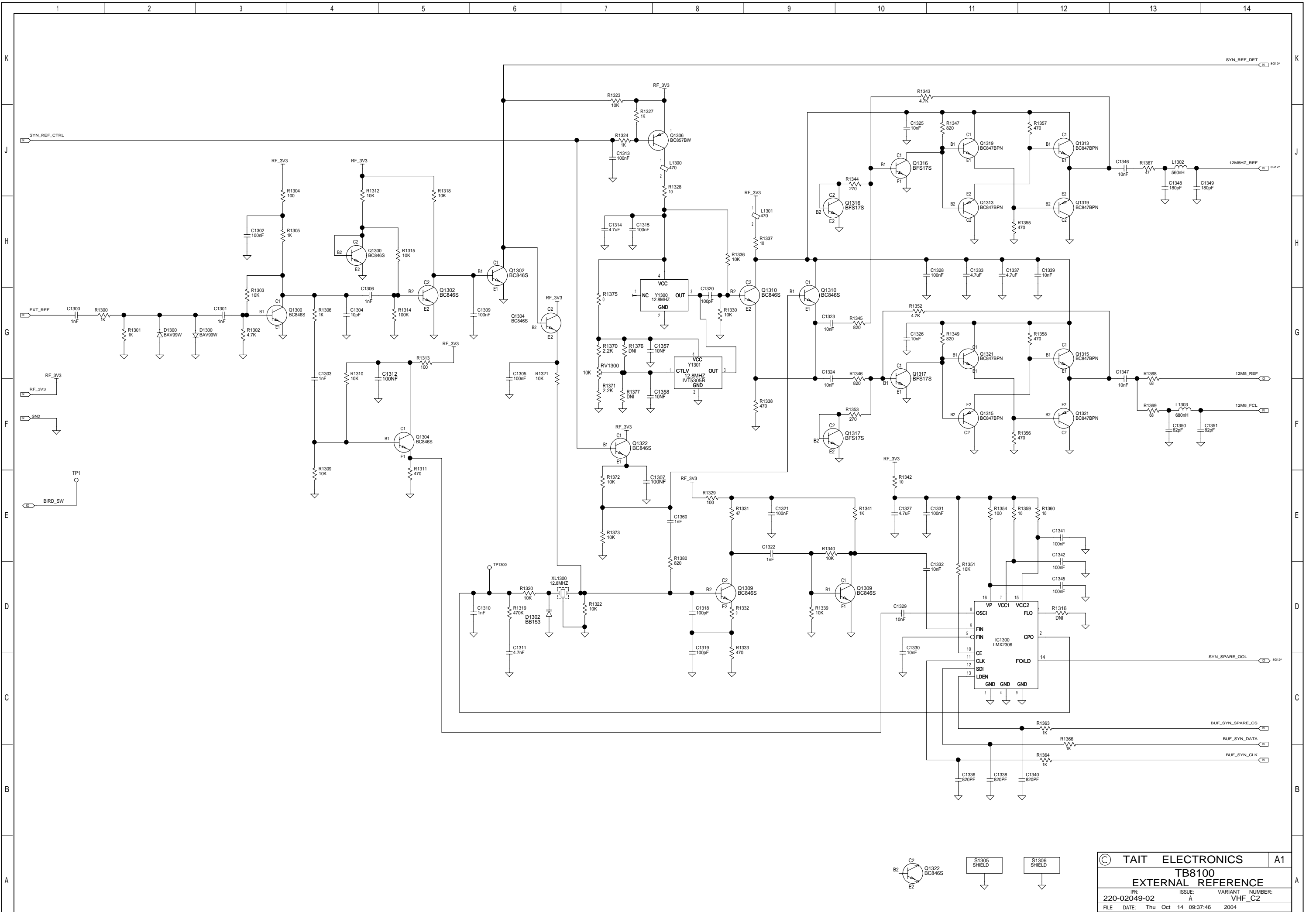


REV/ISS	AMENDMENTS	DRAWN	CHKD	D.O.	APVD	DATE
1						

© TAIT ELECTRONICS A1

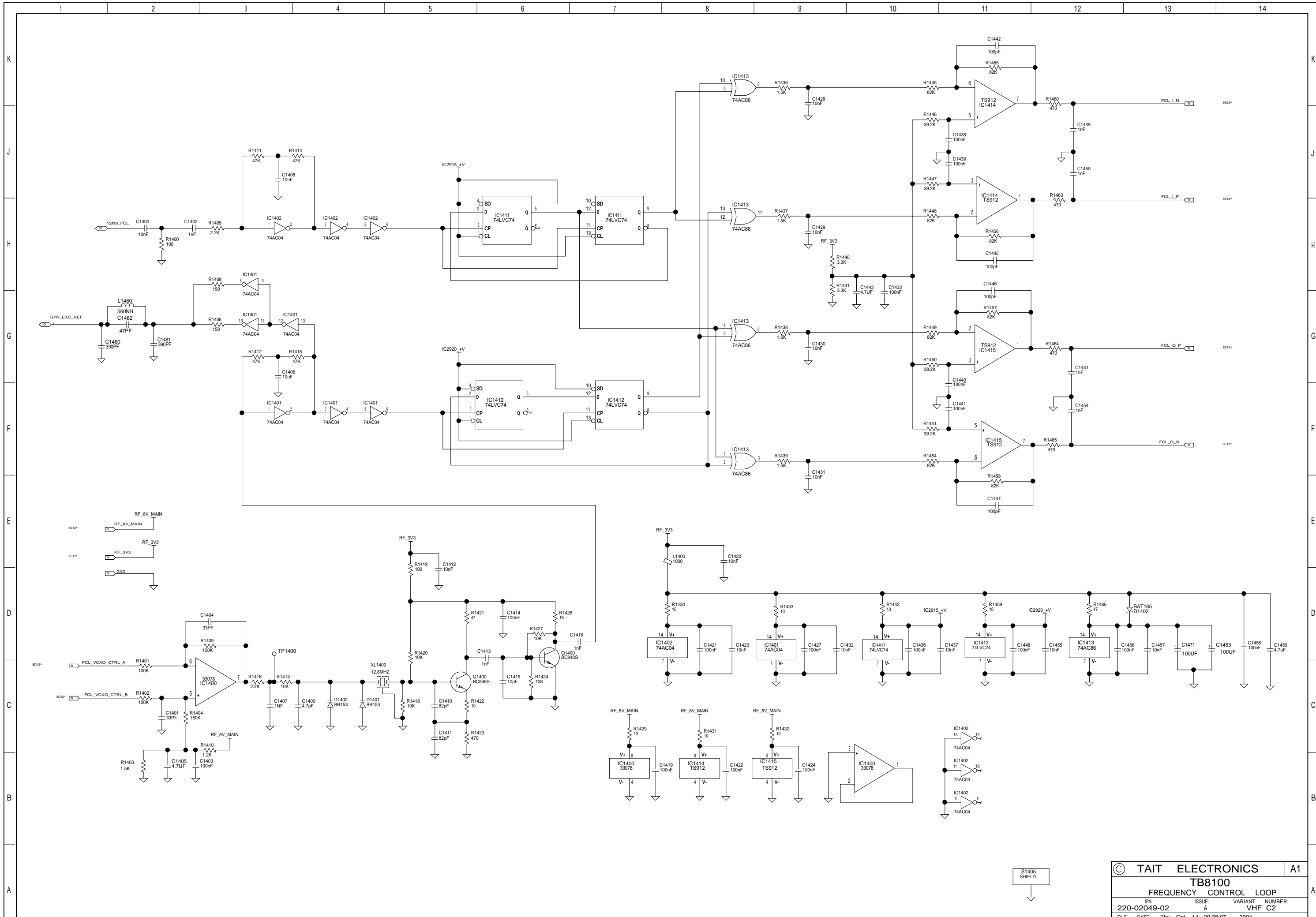
**TB8100**  
**EXCITER VCO**

IPN: 220-02049-02	ISSUE: A	VARIANT: VHF_C2	NUMBER: 2004
FILE DATE: Thu Oct 14 09:37:23	ENGINEER: S Heald		
FILE NAME: 220_02049		SHEET NUMBER: 12	OF 14



© TAIT ELECTRONICS		A1
<b>TB8100</b>		
<b>EXTERNAL REFERENCE</b>		
IPN: 220-02049-02	ISSUE: A	VARIANT NUMBER: VHF_C2
FILE DATE: Thu Oct 14 09:37:46 2004	FILE NAME: 220_02049	SHEET NUMBER: 13 OF 14
ENGINEER: S Heald		

REV/ISS	AMENDMENTS	DRAWN	CHKD	D.O.	APVD	DATE
1						
2						
3						
4						
5						

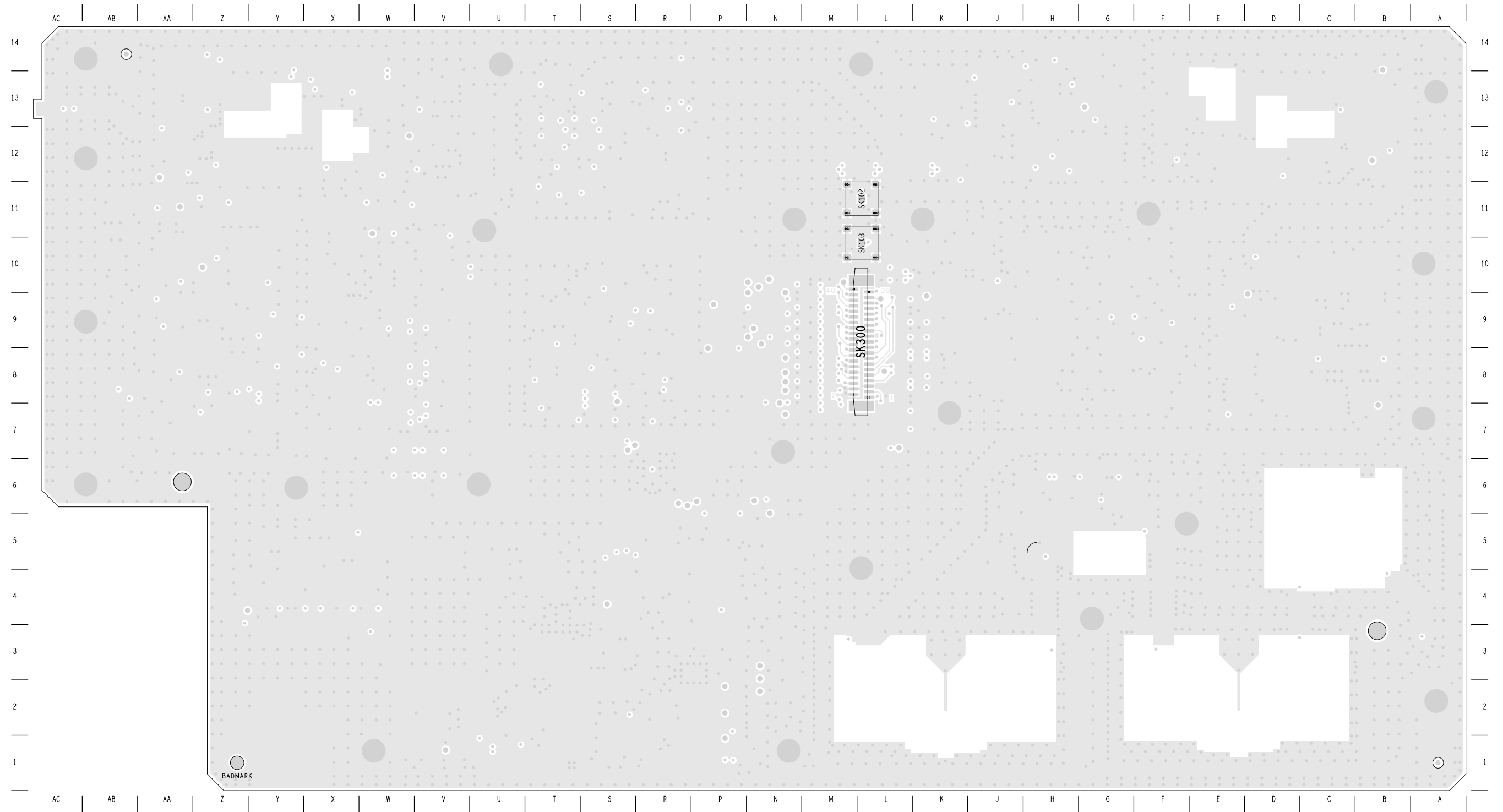


© TAIT ELECTRONICS		A1
<b>TB8100</b>		
FREQUENCY CONTROL LOOP		
IPN:	ISSUE:	VARIANT NUMBER:
220-02049-02	A	VHF_C2
FILE DATE:	Thu Oct 14 09:38:07	2004
ENGINEER:	FILE NAME:	SHEET NUMBER:
S Heald	220_02049	14 OF 14

REV/ISS	AMENDMENTS	DRAWN	CHKD	D.O.	APVD	DATE
1						
2						
3						
4						
5						
6						
7						
8						
9						
10						
11						
12						
13						
14						







TAIT ELECTRONICS	IPN:	ISS:	DATE:	SCALE:
	220-02049-02	A	30Sep04	NTS
TB8100 Reciter RF VHF LAYOUT-SECONDARY-SIDE				